

TROLLA LEAVY 97 CM

Lawn sweeper

Artikel nr.: 12008

EN – Operating manual

2014/12



Dear Customer,

Congratulations on your new Trolla product. We hope you will enjoy it.

Checkout with your new Trolla product may contain small parts, therefore save all packaging until the product is fully assembled. The product can be attached to the package be careful when unpacking the product is not damaged. Read the mounting instructions carefully before the product is assembled and put into service. We recommend that the bill be checked immediately on opening the package.



Operating manual:

Safety precautions:

Read this manual carefully so that you understand and can follow all safety precautions and operation functions before you begin to create and use the product.

Children should not use the product.

If you feel sick, tired or have consumed alcohol or drugs, do not use the machine.

Never use the machine until the work is cleared.

All repairs that are not described in this manual may be performed only by specially trained personnel at an authorized service center.

Use only original parts for repairs.

The product should only be lent to people who are familiar with its operation. Operating instructions must always be provided.

Start always in low gear and increase momentum if conditions permit.

Be aware that the towing vehicle's braking performance and stability is affected when the product is installed.

Be particularly careful when reversing. Drive straight up and down, not sideways to avoid tipping. Do not drive too close to the edges or ditches.

DENMARK 

Do not use tightened a lawn tractor / ATV on public roads.

Use only tightened a lawn tractor or ATV.

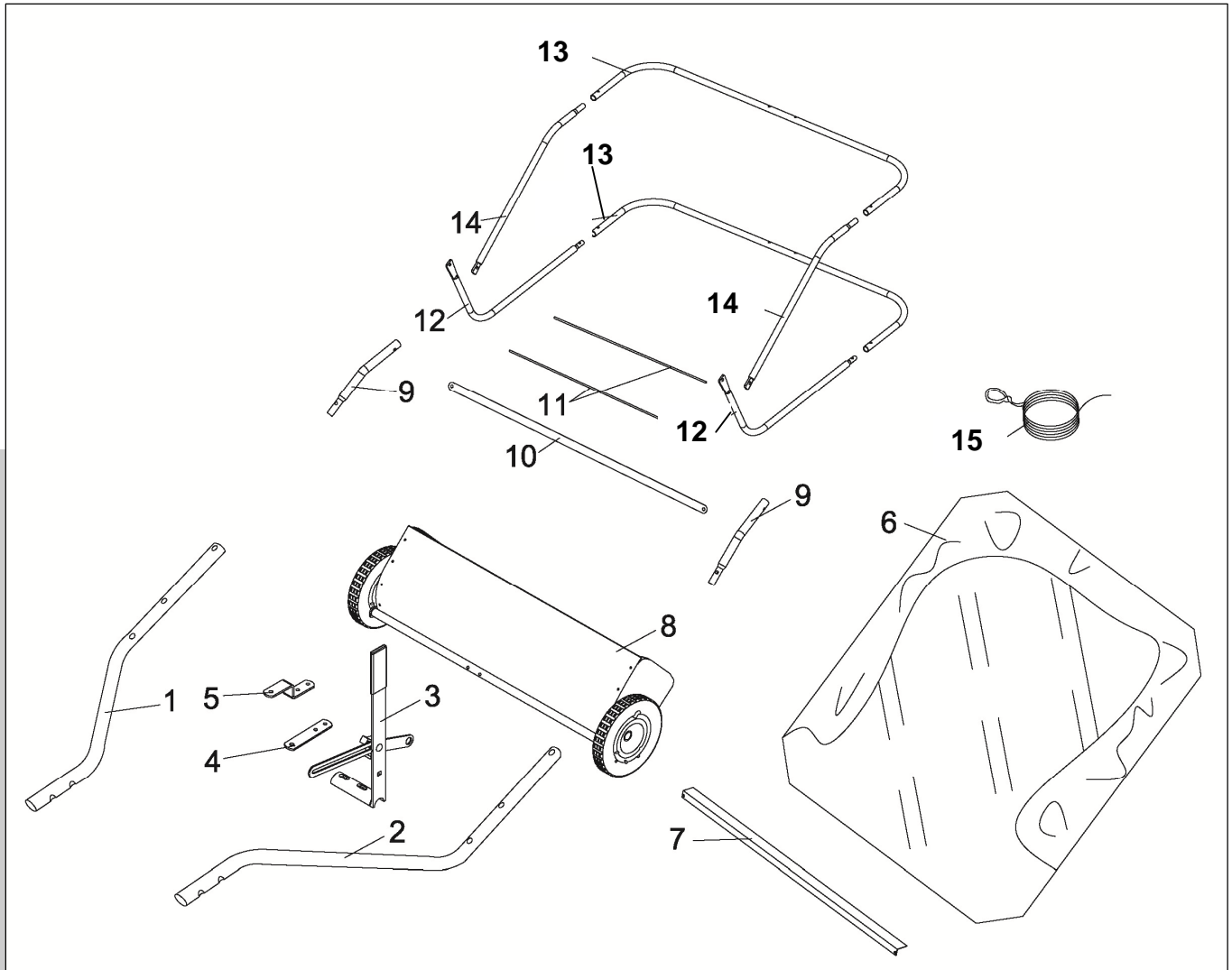
Remember to tighten all bolts and nuts before use.

Always store the product in a dry place and apply all metal parts a little oil when the machine is not used.

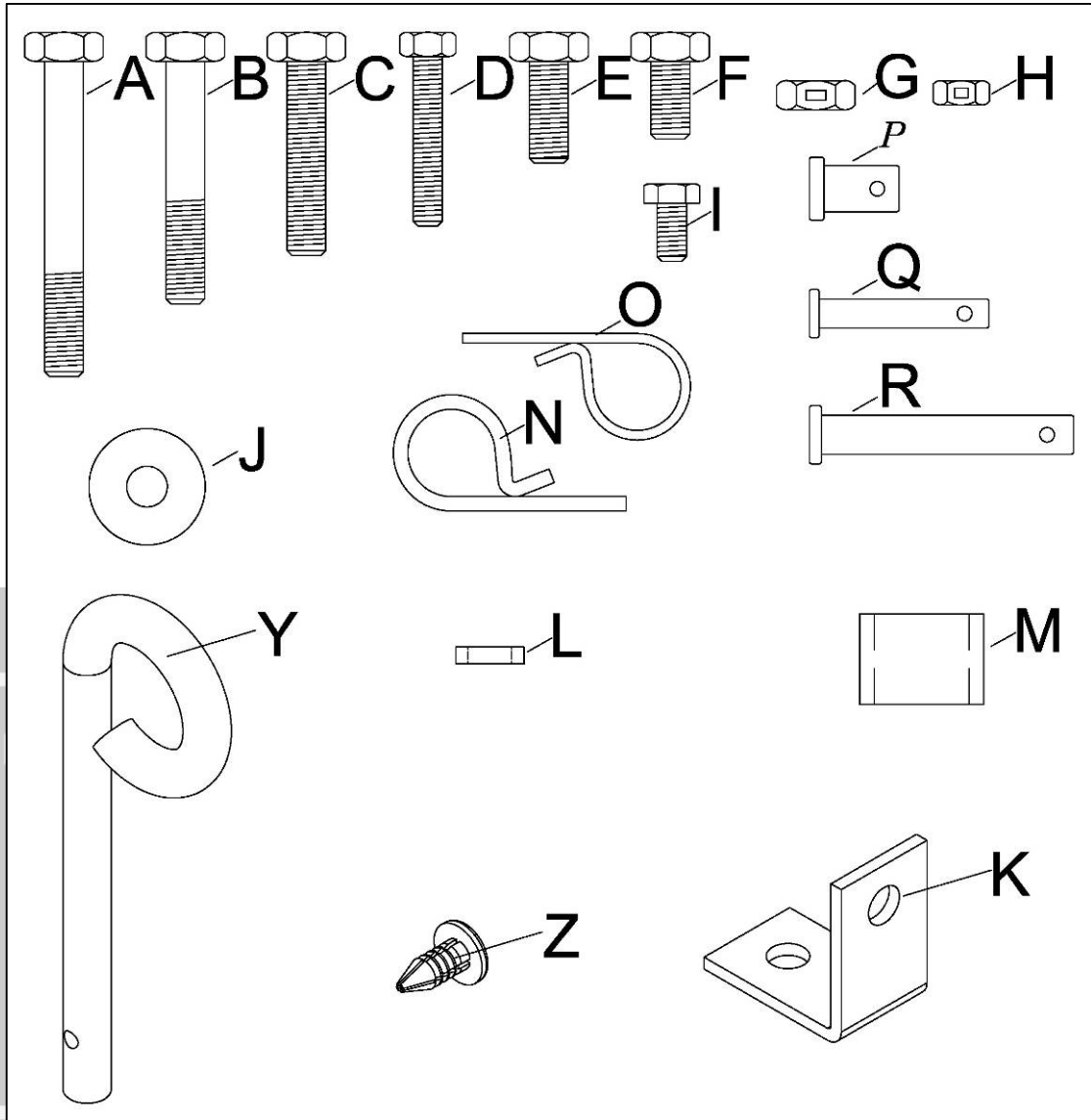


Look for this symbol to point out important safety precautions. It means—Attention! Become alert! Your safety is involved.

CARTON CONTENTS (Loose Parts in Carton)



- | | |
|-----------------------------|----------------------------|
| 1. Hitch Tube R.H | 10. Bag Frame Strap |
| 2. Hitch Tube L.H. | 11. Hopper Support Rod (2) |
| 3. Handle Assembly | 12. Lower Hopper Side Tube |
| 4. Hitch Bracket (straight) | 13. Rear Hopper Tube (2) |
| 5. Hitch Bracket | 14. Upper Hopper Side Tube |
| 6. Hopper Bag | 15. Rope |
| 7. Connecting Rod | |
| 8. Sweeper Housing Assembly | |
| 9. Bag Arm Tube (2) | |



DENMARK

REF.	QTY.	DESCRIPTION	REF.	QTY.	DESCRIPTION
A	2	Hex Bolt M8x65	K	1	Angle Bracket
B	2	Hex Bolt M8x50	L	1	Adjustable Pole Spacer
C	2	Hex Bolt M8x40	M	2	Hitch Spacer
D	4	Hex Bolt M6x40	N	5	R Pin Ø3
E	1	Hex Bolt M8x20	O	4	R Pin Ø2
F	1	Hex Bolt M8x16	P	2	Clevis Pin Ø9.5x25
G	8	Nylon Lock Nut M8	Q	4	Clevis Pin Ø6x37
H	6	Nylon Lock Nut M6	R	2	Clevis Pin Ø8x59.5
I	2	Hex Bolt M6x12	Y	1	Hitch Pin
J	1	Big Flat Washer Ø8	Z	4	Plastic Plug

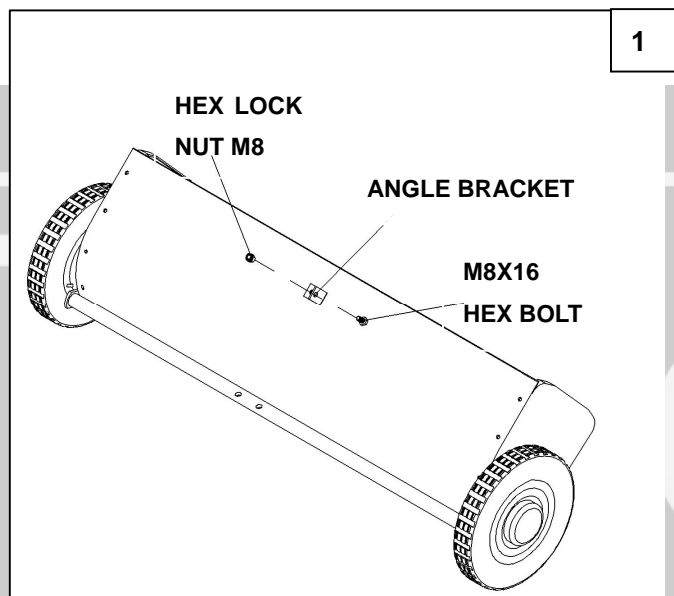
ASSEMBLY

REMOVE THE HARDWARE PACK AND ALL LOOSE PARTS FROM THE CARTON AND VERIFY THAT ALL THE PARTS AND FASTENERS SHOWN ON THE LAST PAGE ARE INCLUDED.

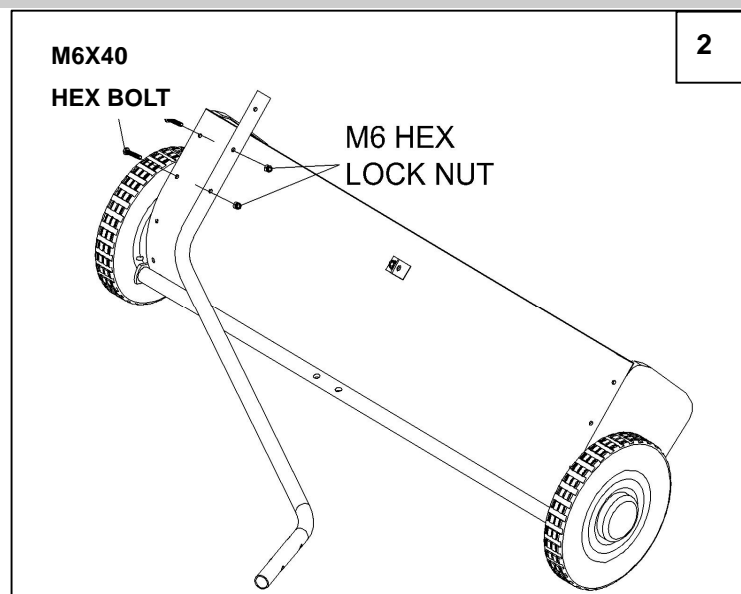
ASSEMBLY OF SWEEPER

Note: Right hand (R.H.) and left hand (L.H.) are determined from the operators' position while seated on the Tractor.

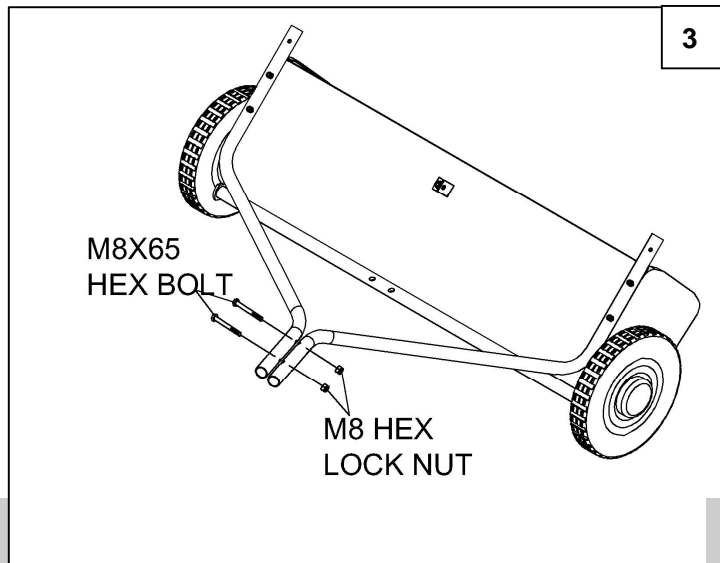
1. **(Figure 1)** Assemble the angle bracket to the sweeper housing using a M8x16 hex bolt and a M8 hex lock nut. Make sure the bracket is turned as shown and aligned straight with the housing and then **tighten**.



3. **(Figure 2)** Assemble the R.H Hitch Tube to the sweeper housing using M6x40 Hex Bolt and M6 Lock Nut. Do not tighten yet. Repeat for the L.H hitch tube.



4. **(Figure 3)** Fasten the hitch tubes together using two M8x65 Hex Bolts and M8 Lock Nuts. **Do not tighten yet.**

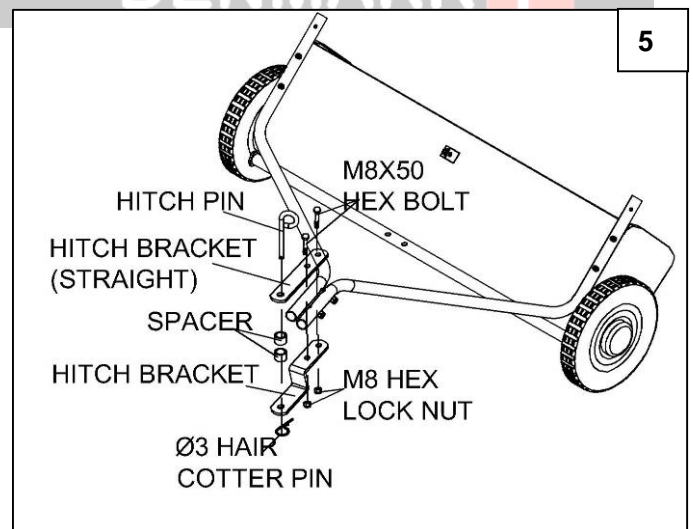
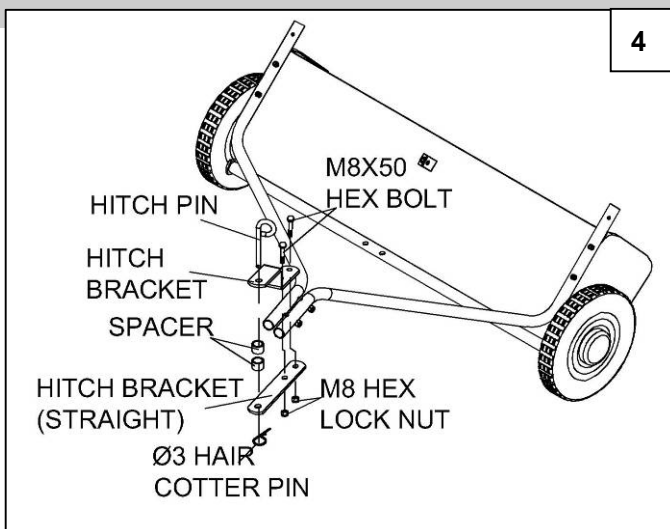


If your tractor hitch 279 to 330 ground clearance refer to figure 4. If your tractor hitch has 203 to 279 ground clearance refer to figure 5.

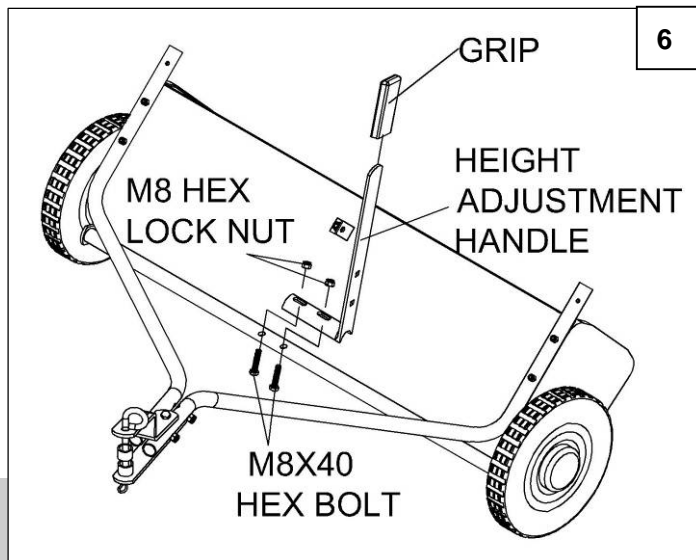
5. **(Figure 4 or 5)** Assemble the hitch brackets to the hitch tubes using two M8x50 hex bolts and M8 hex lock nuts. The bolts should straddle the front hitch tube bolt. **Do not tighten yet.**

6. At this time tighten the four bolts fastening the hitch tubes to the sweeper housing. Next, tighten the two bolts fastening the ends of the hitch tubes together. Finally, tighten the two bolts fastening the hitch brackets to the hitch tubes.

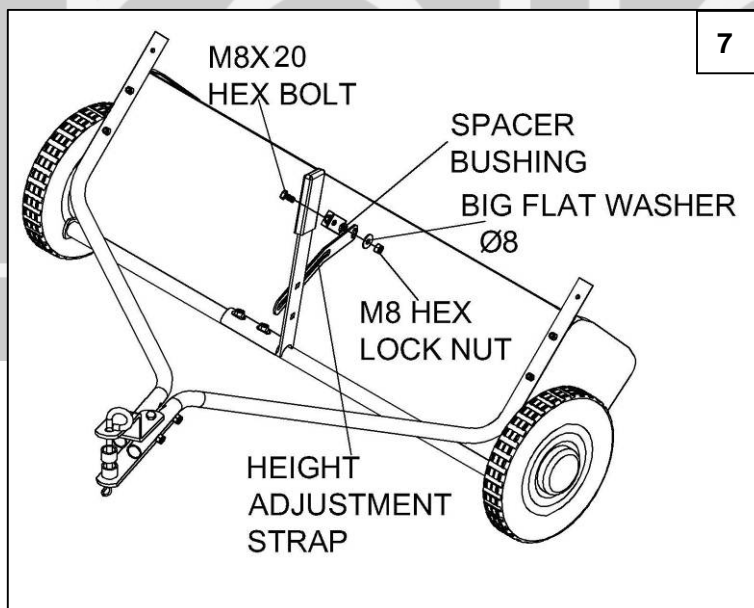
7. **(Figure 4 or 5)** Assemble the hitch pin, spacers and the hair cotter pin to the hitch brackets.



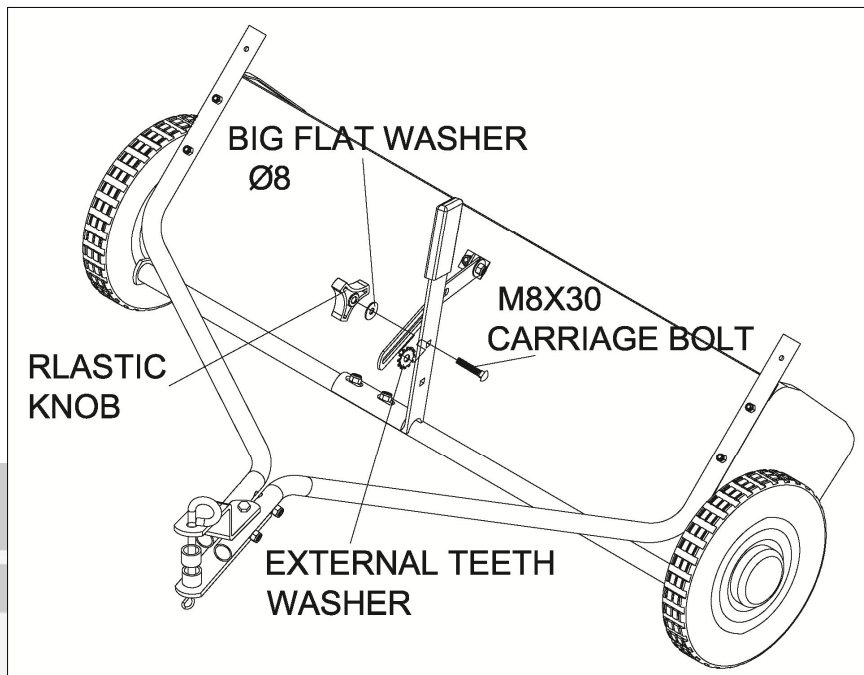
8. **(Figure 6)** Assemble the height adjustment handle to the height adjustment tube as shown in figure 6. Use two M8x40 hex bolts and M8 lock nuts. **Do not tighten yet.**



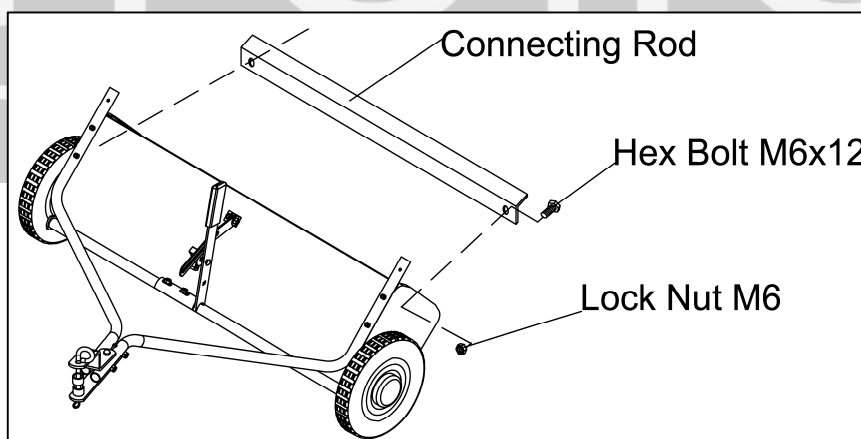
9. **(Figure 7)** Insert a M8x20 hex bolt through the angle bracket. Assemble onto the bolt (in order) the spacer bushing, the height adjustment strap, a Ø8 big flat washer and a M8 hex lock nut. **Tighten.**



10. **(Figure 8)** Position the height adjustment handle side to side so that the external teeth washer can fit between the handle and the height adjustment strap. Tighten the nuts securing the height adjustment handle.

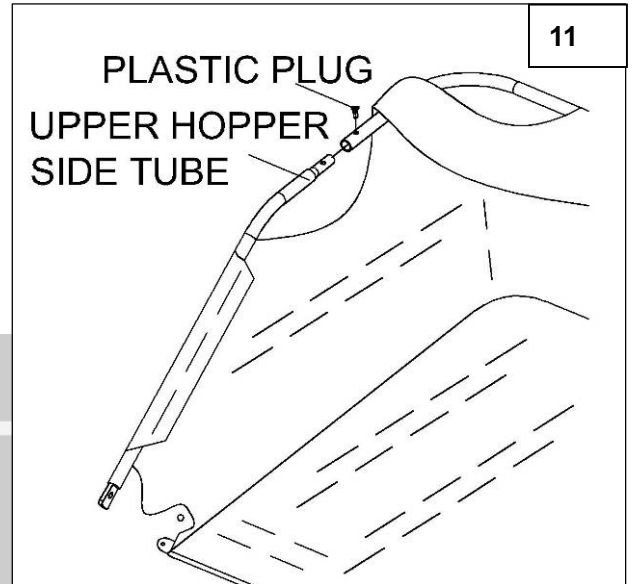
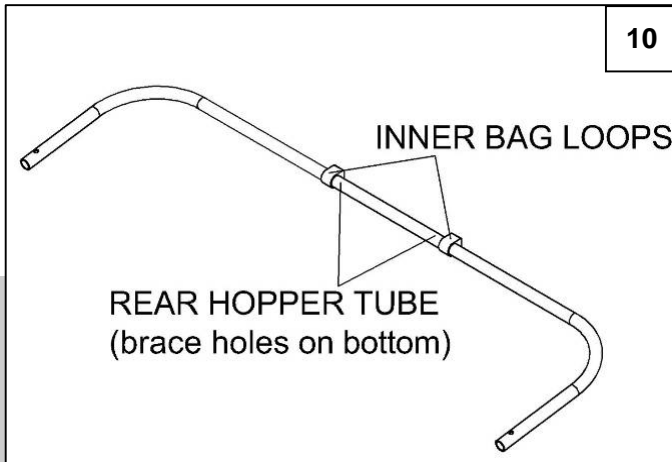


11. **(Figure 9)** Assemble the Connecting Rod to the sweeper housing by using two sets of Hex Bolt M6x12 and Lock Nut M6.

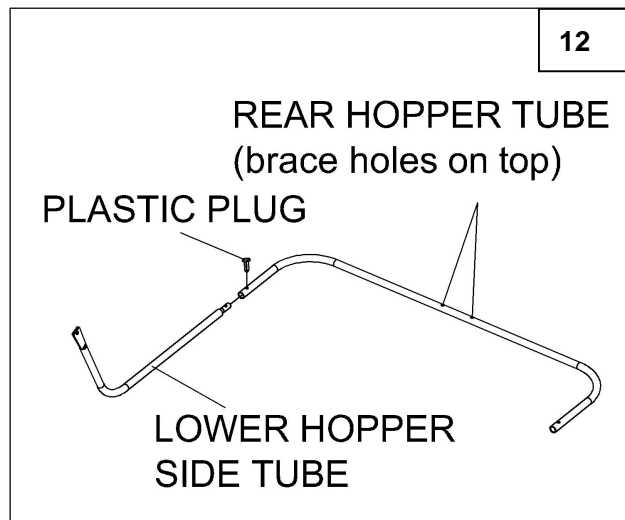


ASSEMBLY OF HOPPING BAG

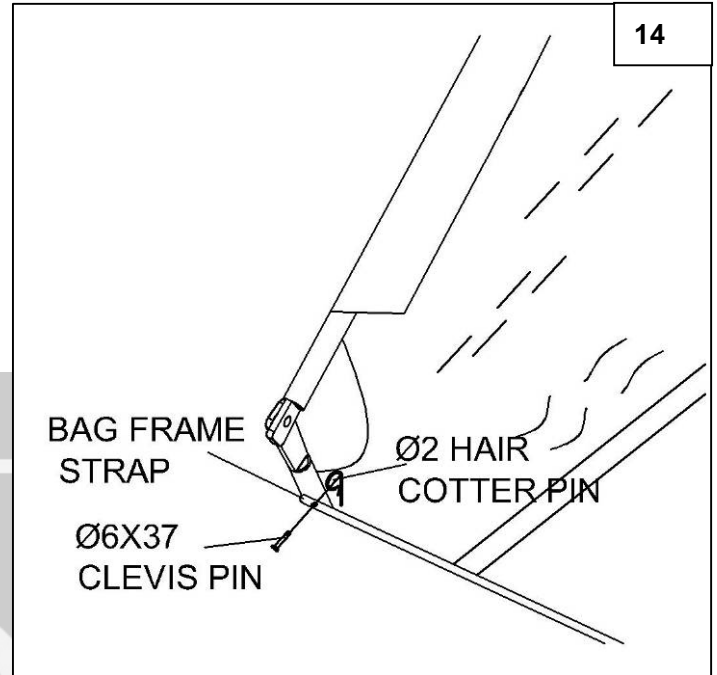
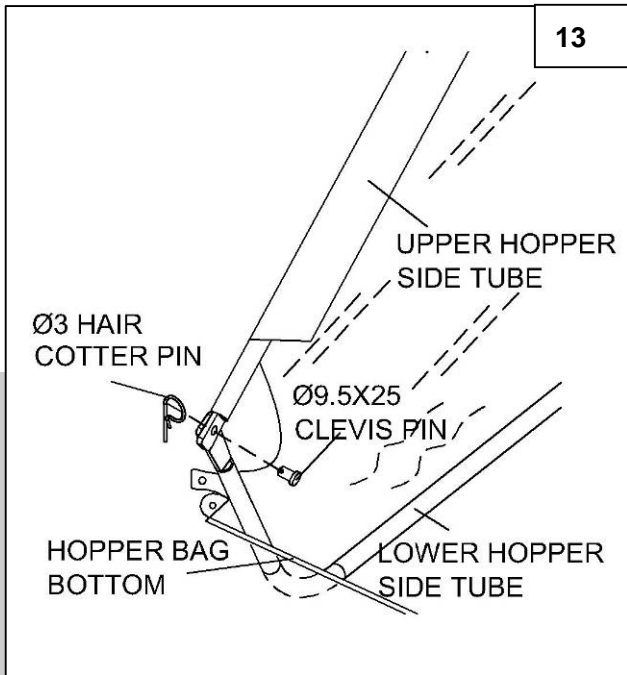
1. **(Figure 10)** Turn a rear hopper tube so that the brace holes in the middle of the tube face down. Slide the tube through the two loops sewn to the top rear seam inside the hopper bag.



2. **(Figure 11)** Insert the two upper hopper side tubes through the stitched flaps on each side of the hopper bag.
3. **(Figure 11)** Assemble the ends of the rear hopper tube onto the ends of the upper hopper side tubes.
4. **(Figure 12)** Turn the second rear hopper tube so that the brace holes in the middle of the tube face up. Assemble the ends of the rear hopper tube onto the ends of the lower hopper side tubes. Fasten together using plastic plugs.



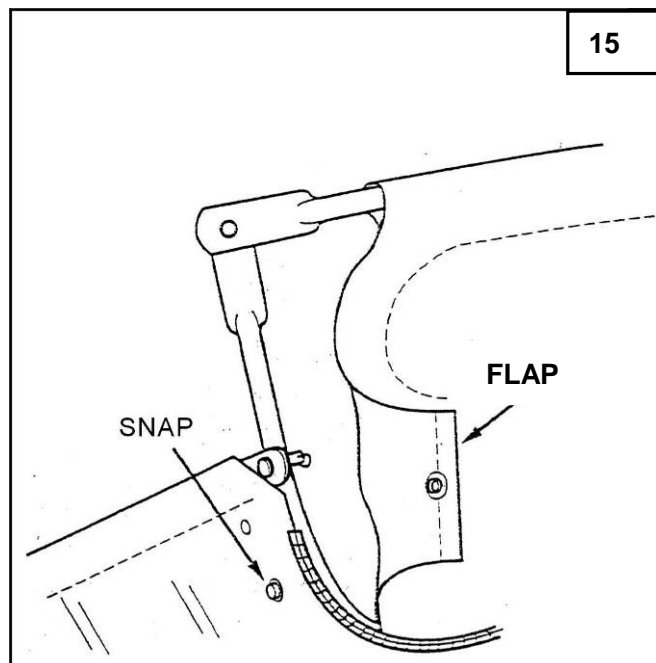
5. **(Figure 13)** Place the assembled lower hopper tubes into the bottom of the hopper bag.
6. **(Figure 13)** Attach the ends of the lower hopper side tubes to the inside of the upper side tubes using two $\text{\O}9.5 \times 25$ clevis pins inserted from the inside, and two hair cotter pins $\text{\O}3$.



7. **(Figure 14)** Insert the bag frame strap into the stitched sleeve along the front edge of the bag bottom.
8. **(Figure 14)** Assemble the bag frame strap to the lower hopper side tubes using two $\text{\O}6 \times 37$ clevis pins and two hair cotter pins $\text{\O}2$.

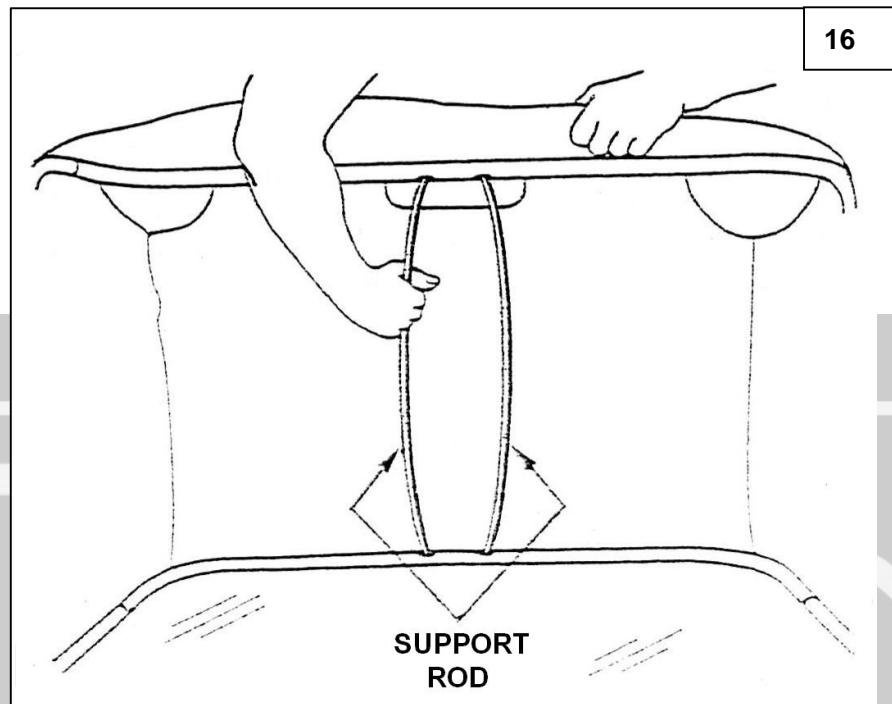
DENMARK

9. **(Figure 15)** Secure the bag corners around the lower hopper side tubes by snapping the bag flaps to the bag bottom on both sides.

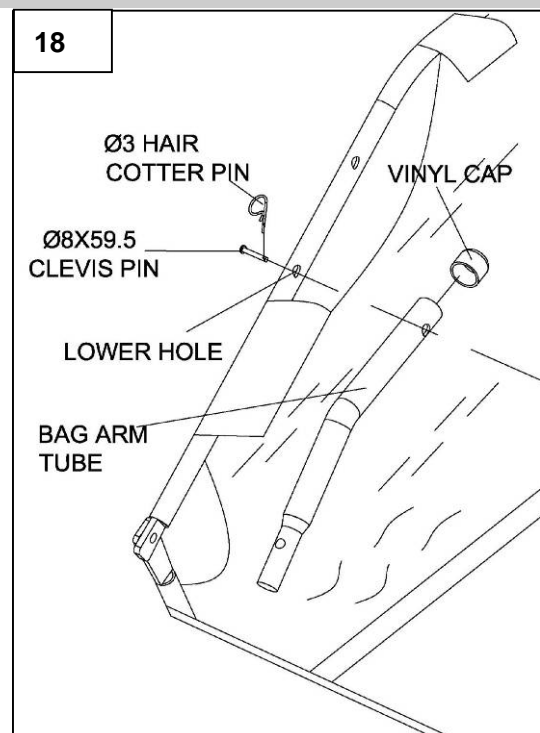
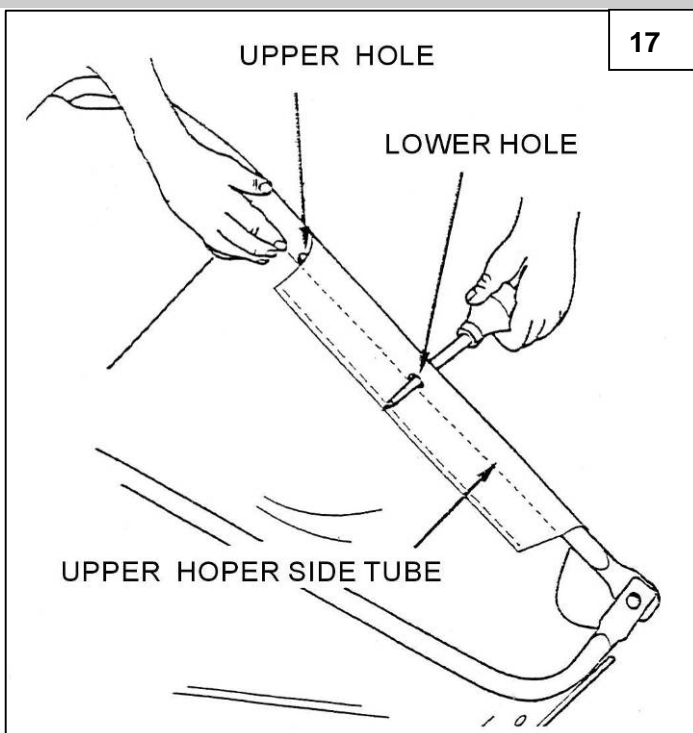


IMPORTANT: Do not over bend the support rods during the following step. Over bending will cause the steel rods to loose supporting tension.

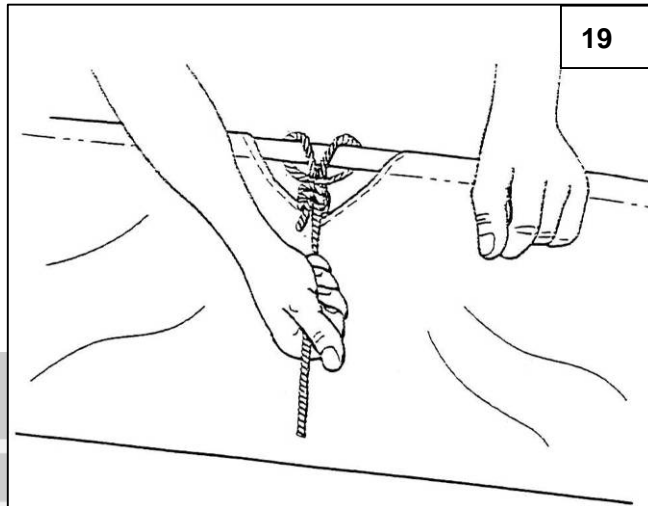
10. **(Figure 16)** Tip the hopper onto it's back to assemble the two hopper support rods. Place the ends of each rod into the upper and lower rear hopper tubes bending the rod just enough to fit into the holes in the tubes.



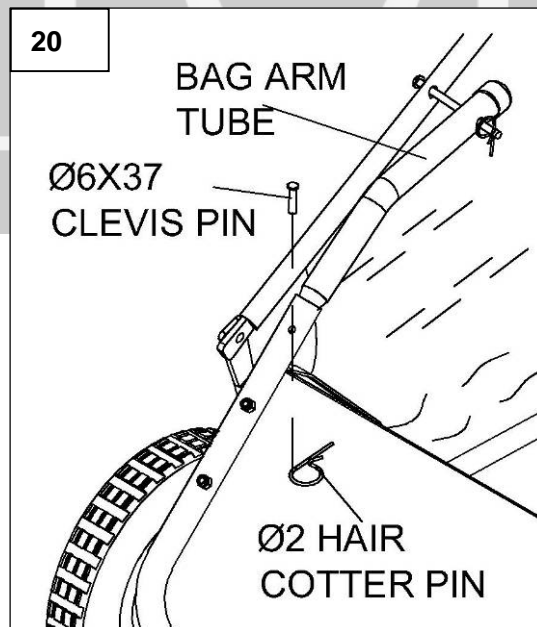
11. **(Figure 17)** Feel along the stitched flap on the hopper bag to locate the lower hole in each upper hopper side tube. Place a hole through both sides of the stitched flaps in alignment with the lower hole.



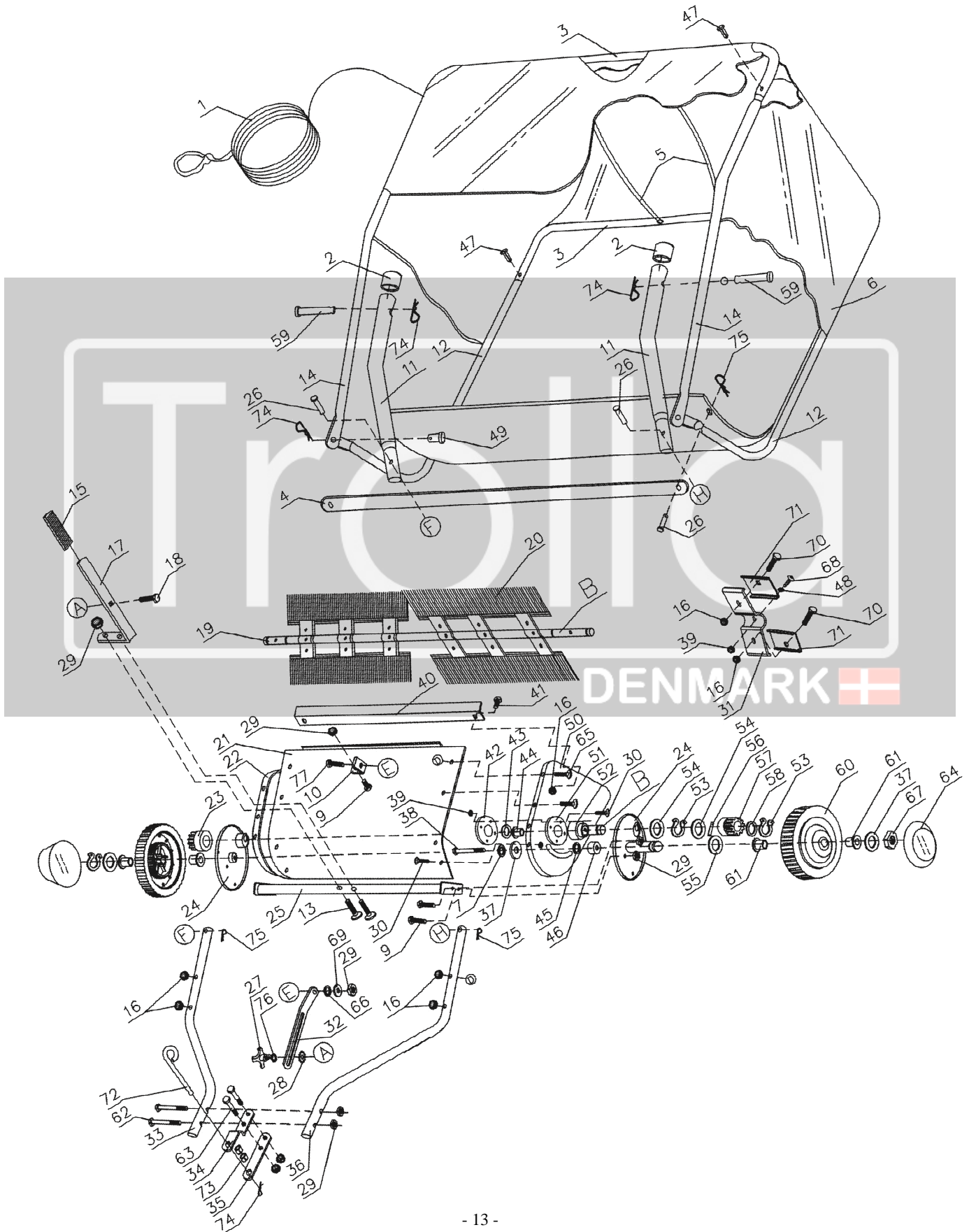
12. **(Figure 18)** Insert a Ø8X59.5 clevis pin through the lower hole in each upper hopper side tube. Next assemble a bag arm tube onto each clevis pin and secure it with a hair cotter pin Ø3.
13. **(Figure 19)** Secure the rope to the top center of the hopper bag frame.



14. **(Figure 20)** To assemble the hopper bag to the sweeper, slide the ends of the bag arm tubes into the ends of the sweeper's hitch tubes and secure with two Ø6X37 clevis pins and hair cotter pins Ø2.



DRAWING



PARTS LIST

Part No	Description	Qty.	Part No	Description	Qty.
1	Hopper Rope	1	40	Connecting Rod	1
2	Vinyl Cap	2	41	Hex Bolt M6x12	2
3	Hopper Frame Tube (Rear)	2	42	Dust Cover Retainer	2
4	Bag Frame Strap	1	43	Inside Star Washer	2
5	Hopper Support Rod	2	44	Brush Shaft Bushing	2
6	Hopper Bag	1	45	Spacer Bushing	2
7	Lock Washer Ø10	2	46	Spacer for Axle	2
9	Hex Bolt M8x16	5	47	Plastic Bolt	4
10	Angle Bracket	1	48	Star Washer Ø5	6
11	Bag Arm Tube	2	49	Clevis Pin C	2
12	Lower Hopper Frame Tube	2	50	End Plate (L.H.)	1
13	Hex Bolt M8x40	2	51	Special Washer	2
14	Upper Hopper Frame Tube	2	52	Bushing	2
15	Height Adjust Gripe	1	53	Retaining Ring Ø15	4
16	Lock Nut M6	18	54	Adj. Washer A	4
17	Height Adjustment Handle	1	55	Adj. Washer C	2
18	Carriage Bolt M8x30	1	56	Dowel Pin (Drive)	2
19	Brush Shaft	1	57	Pinion Gear (L.H.)	1
20	Brush	4	58	Adj. Washer B	2
21	Wrapper	1	59	Clevis Pin D	2
22	End Plate (R.H.)	1	60	Wheel & Tire Assembly	2
23	Pinion Gear (R.H.)	1	61	Wheel Bushing	4
24	Dust Cover Assembly	2	62	Hex Bolt M8x65	2
25	Height Adjustment Tube Assy	1	63	Hex Bolt M8x50	2
26	Clevis Pin Ø6x37	4	64	Hub Cap	2
27	Wing Knob	1	65	Hex Bolt M6x40	4
28	External teeth Washer	1	66	Spacer Bushing for Height Adj.Strap	1
29	Hex Lock Nut M8	12	67	Nylon Lock Nut M10	2
30	Slotted Pan Head Screw M5x12	14	68	Hex Bolt M5x25	6
31	Retainer Brush	6	69	Big Flat Washer Ø8	1
32	Height Adjustment Strap	1	70	Hex Bolt M6x20	12
33	Hitch Tube (R.H)	1	71	Retainer Brush	12
34	Hitch Bracket	1	72	Hitch Pin	1
35	Hitch Bracket (Straight)	1	73	Cotter Bearing	2
36	Hitch Tube (L.H.)	1	74	R Pin Ø3	5
37	Big Flat Washer Ø10	4	75	R Pin Ø2	4
38	Hex Bolt M10x85	2	76	Big Flat Washer	1
39	Nylon Lock Nut M5	20	77	Hex Bolt M8x20	1



OVERENSSTEMMELSESERKLÆRING CE

CERTIFICATE OF CONFORMITY CE

KONFORMITÄT SERKLÄRUNG CE



Overensstemmelseserklæring for EU-Importør
Certificate of conformity for EU-Importer
Konformitätserklärung für EU-Importeure

F&H Com A/S (Brand name: Trolla) Gl. Katstrupvej 4 8751 Gedved Denmark	
--	--

erklærer hermed at følgende produkt:
here with declares that the product:
erkläre hiermit, dass das folgende Produkt:

Product: Græsopsamler 97 cm – Lawn sweeper 97 cm – Rasenkehrmaschine 97 cm Art:12008

er i overensstemmelse med bestemmelserne i følgende EF direktiv(er)
is in conformity with the provisions of the following EC directive(s)
steht im Einklang mit den Bestimmungen der EG-Richtlinie (n)

2006/42/EC

og produktet er i henhold til følgende standarder og/eller tekniske specifikationer:
and the product is according to following standards and/or technical specifications:
und dass das Produkt nach folgenden Normen und / oder technischen Spezifikationen ist:

EN 1050, EN 12100-1, EN 12100-2

Date: 12.05.2010

F&H Com A/S
.....Gl. Katstrupvej 4, 8751 Gedved.....
Ulrik Clausen 76 27 37 44
Managing Director 76 27 33 53

