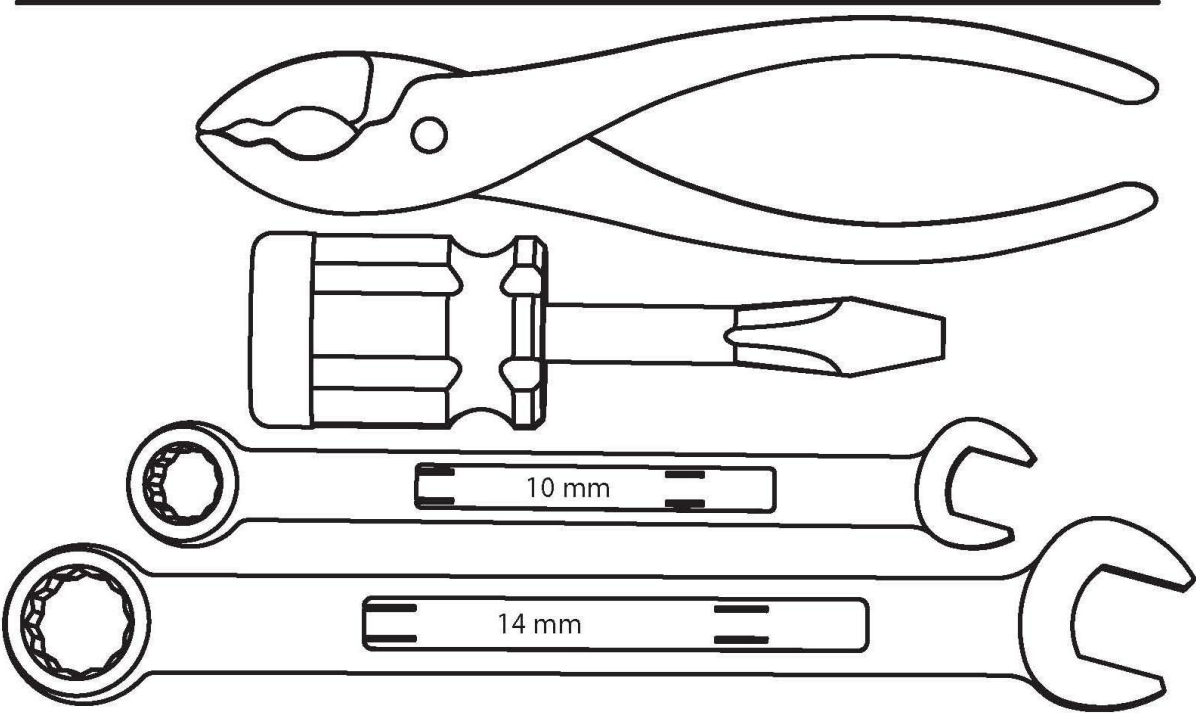


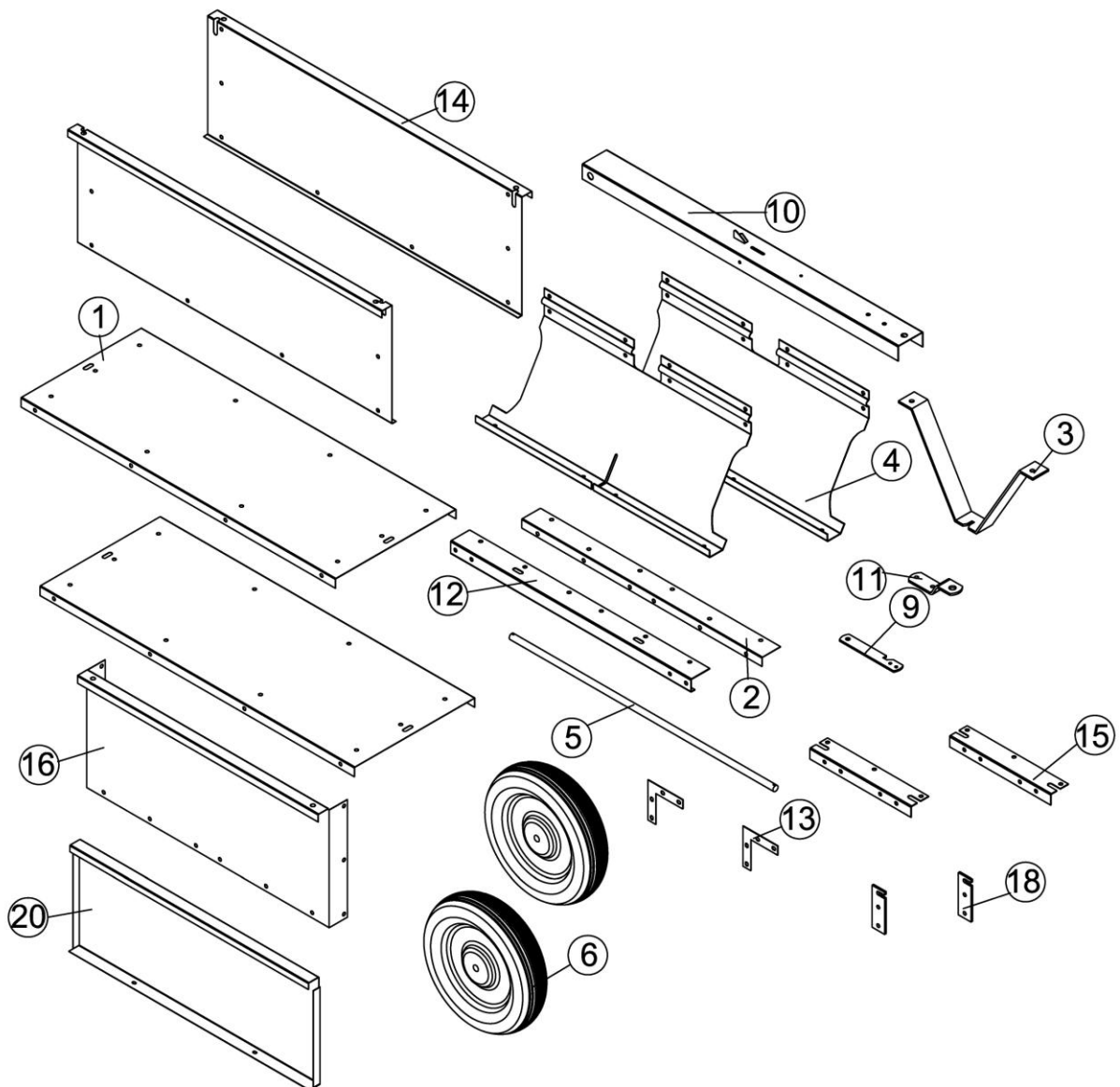
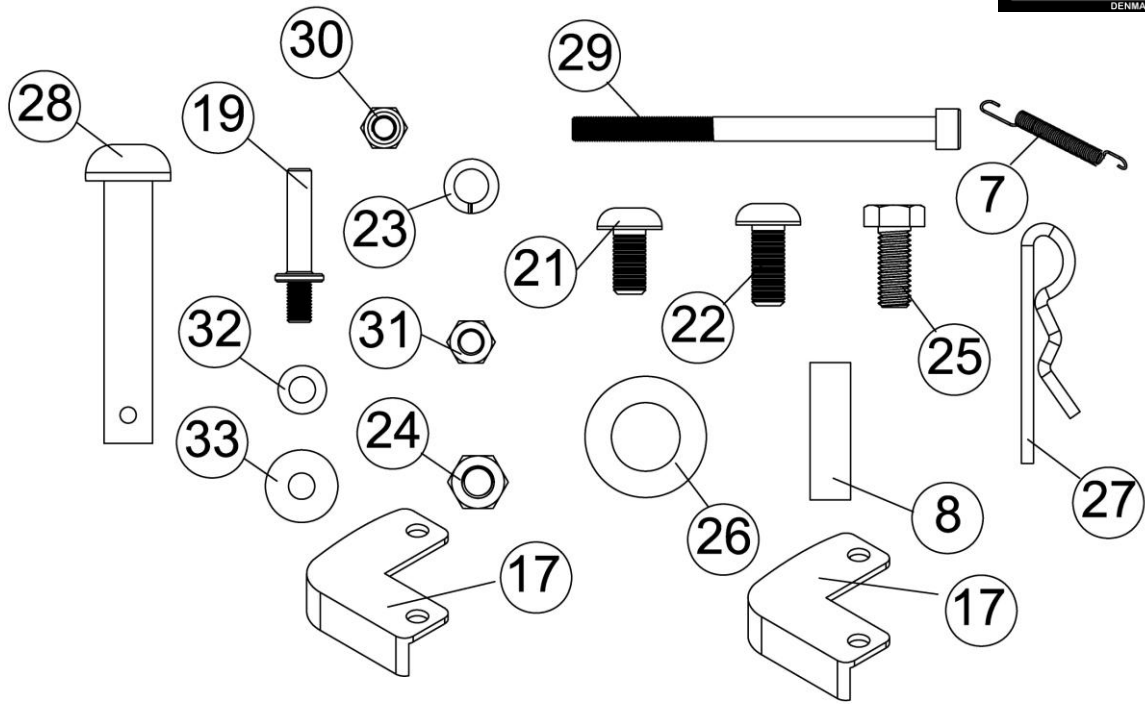


# 500LB<225KG> DUMP CART

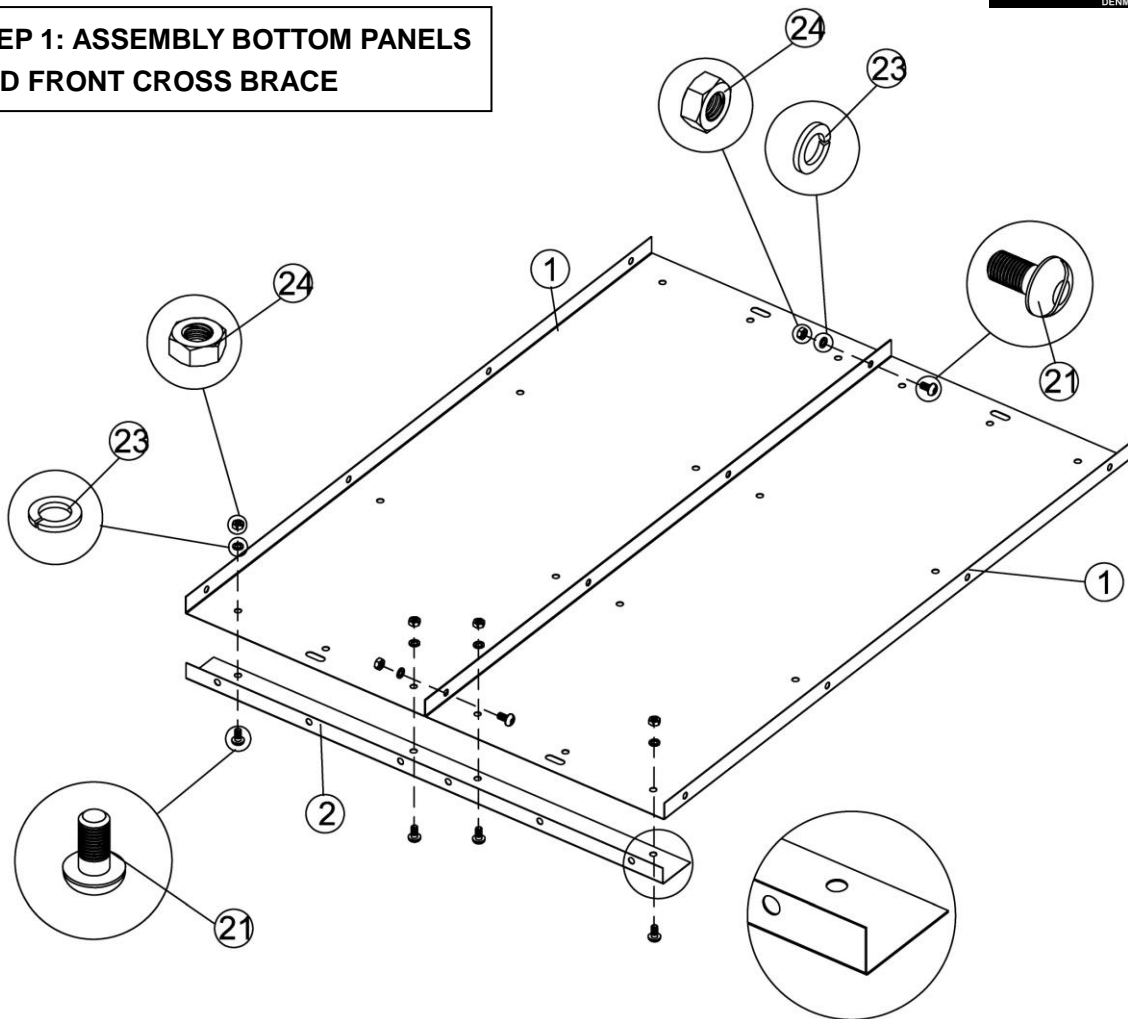


**ASSEMBLY INSTRUCTION**

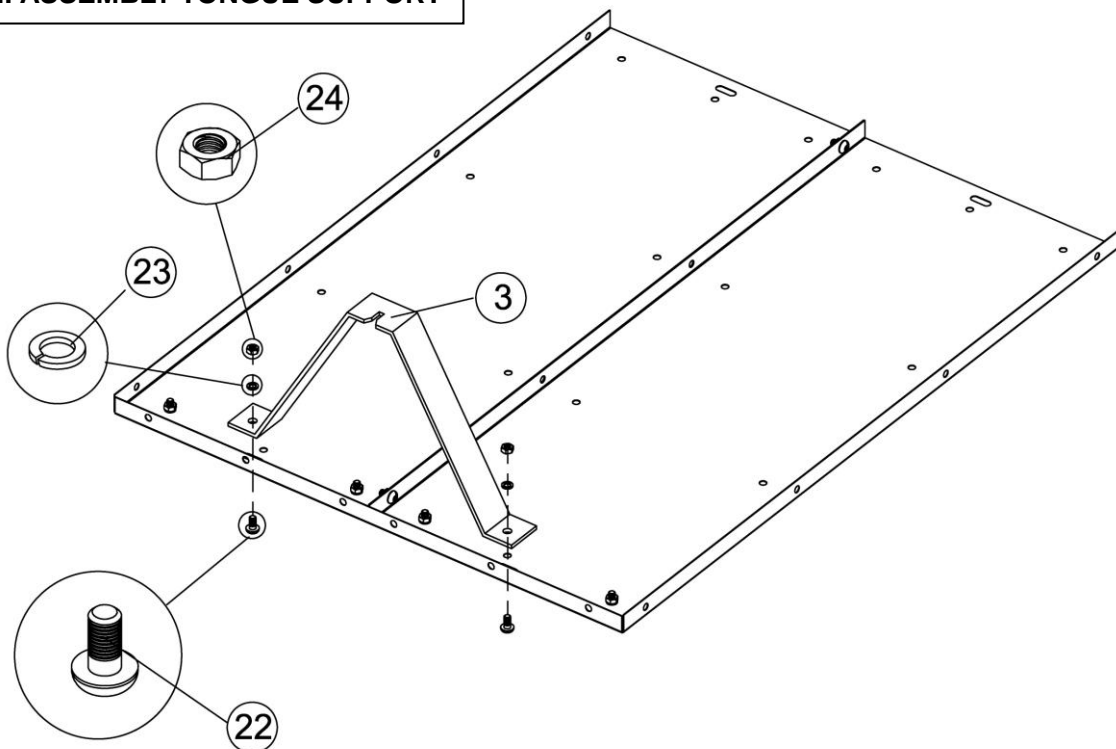




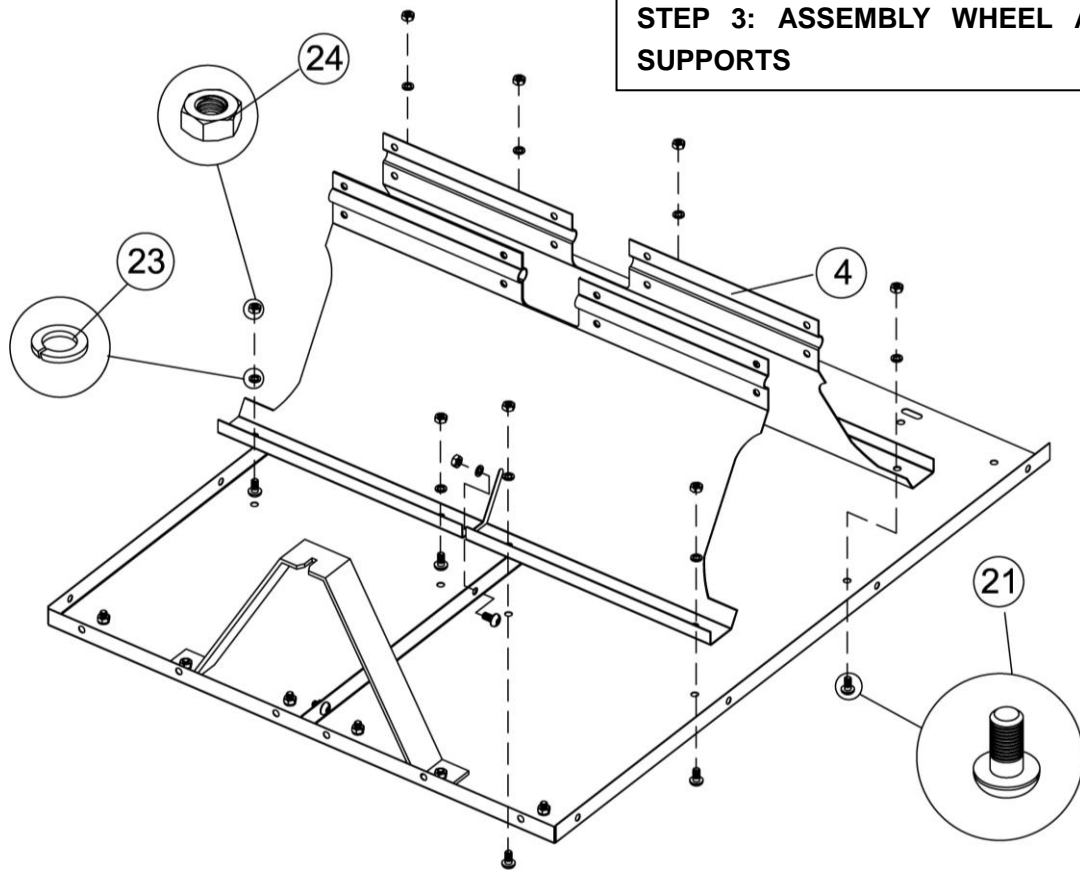
**STEP 1: ASSEMBLY BOTTOM PANELS AND FRONT CROSS BRACE**



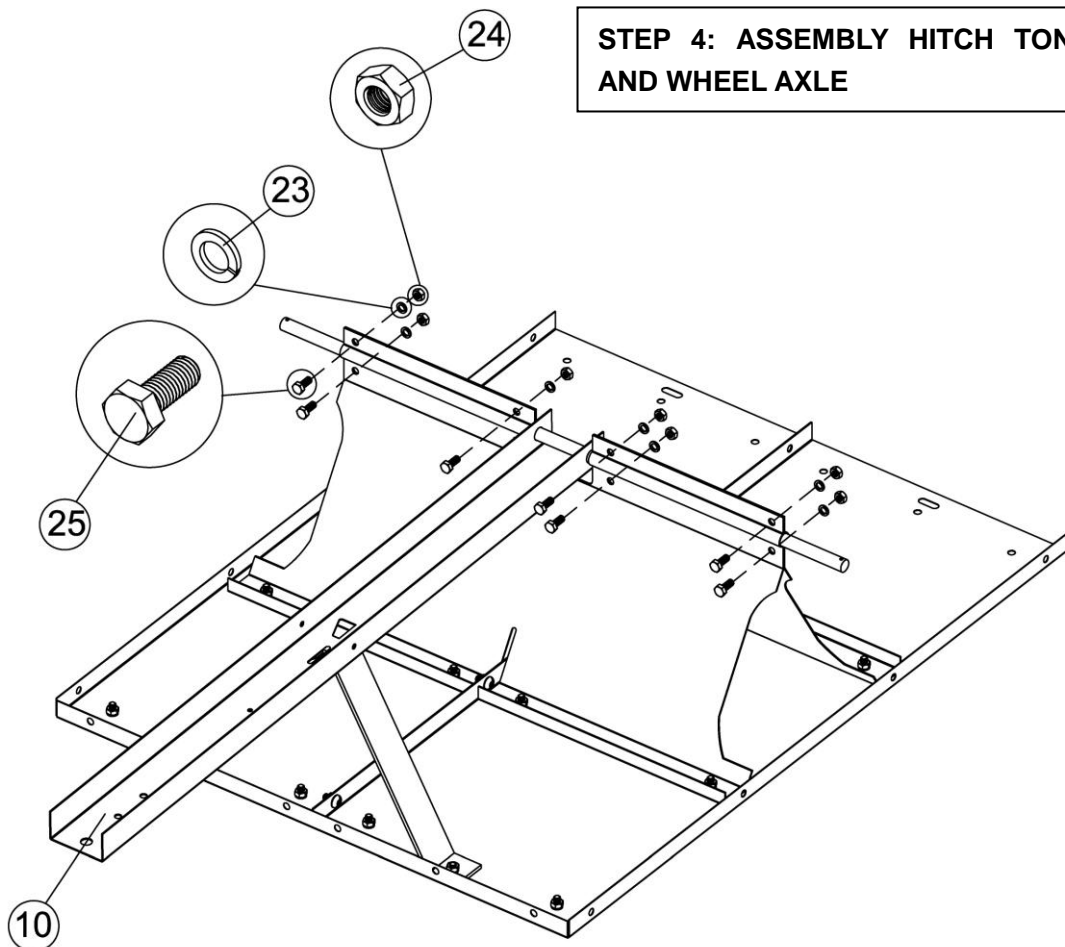
**STEP 2: ASSEMBLY TONGUE SUPPORT**



**STEP 3: ASSEMBLY WHEEL AXLE SUPPORTS**

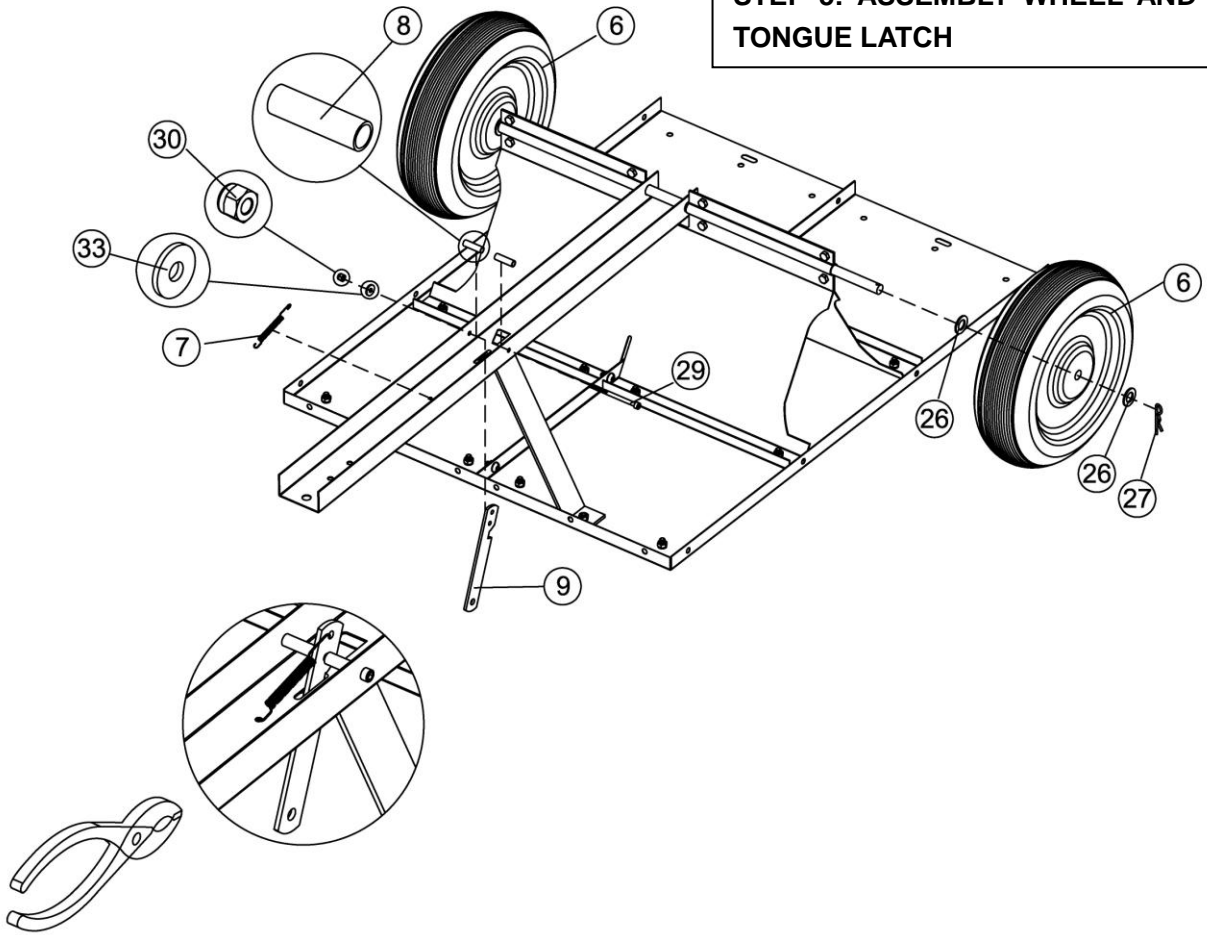


**STEP 4: ASSEMBLY HITCH TONGUE AND WHEEL AXLE**

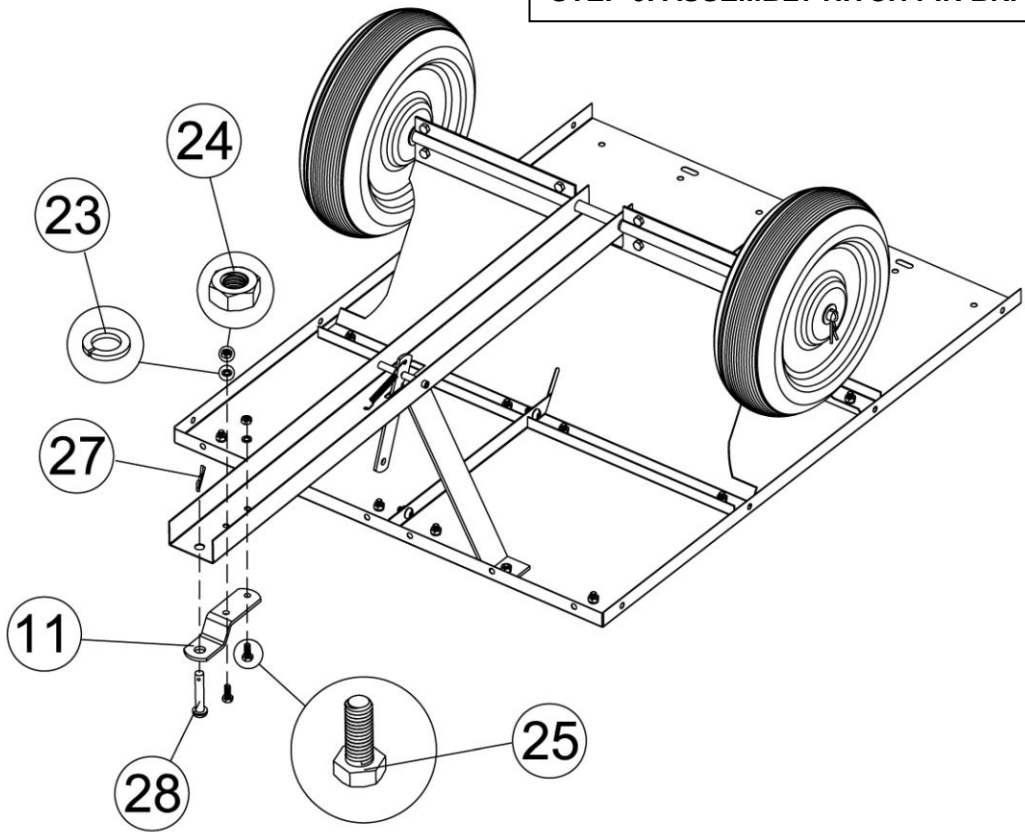




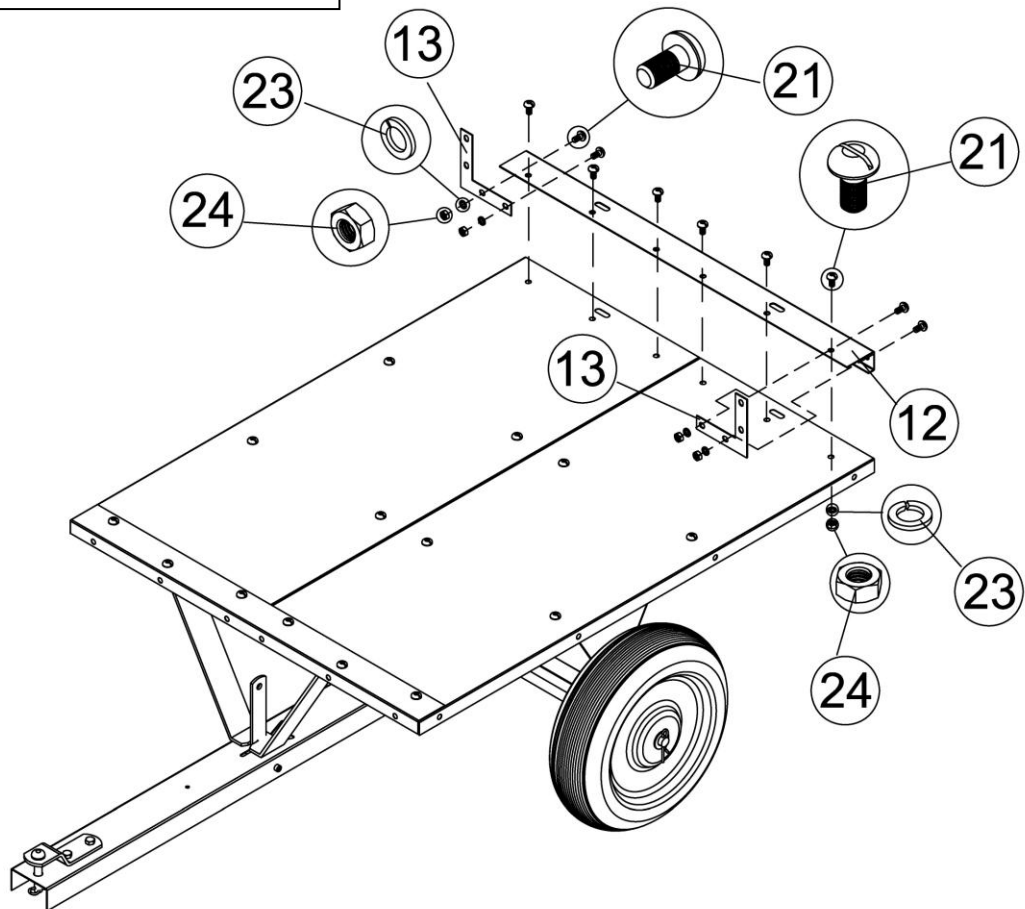
**STEP 5: ASSEMBLY WHEEL AND TONGUE LATCH**



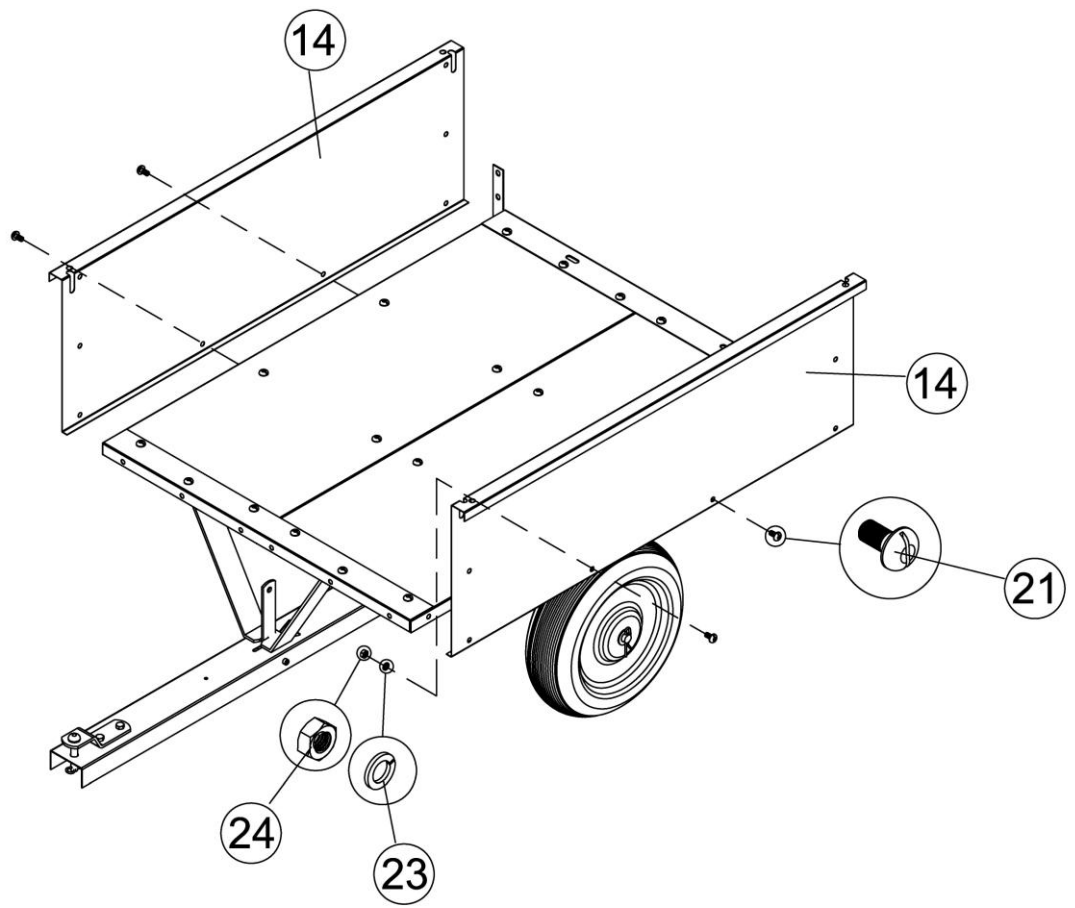
**STEP 6: ASSEMBLY HITCH PIN BRACKET**



**STEP 7: ASSEMBLY REAR CROSS  
BRACE AND CORNER BRACKETS**

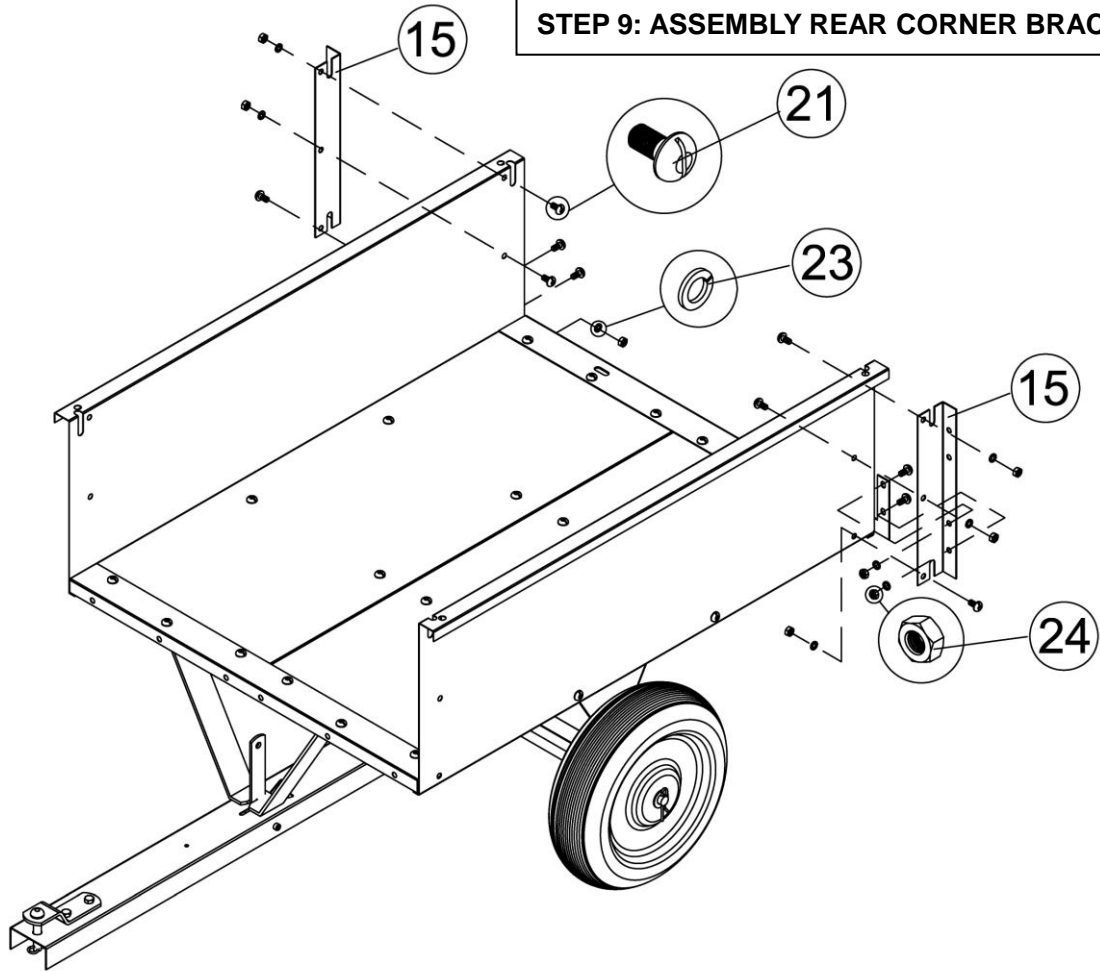


**STEP 8: ASSEMBLY SIDE PANELS**

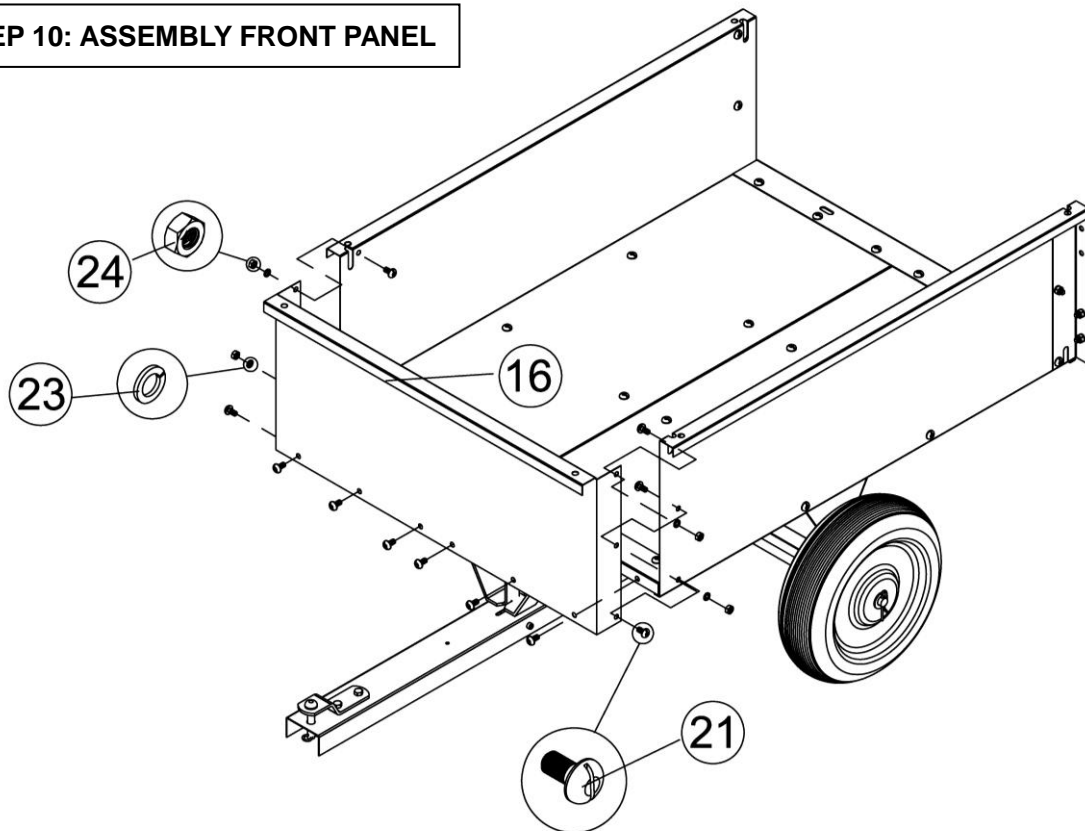




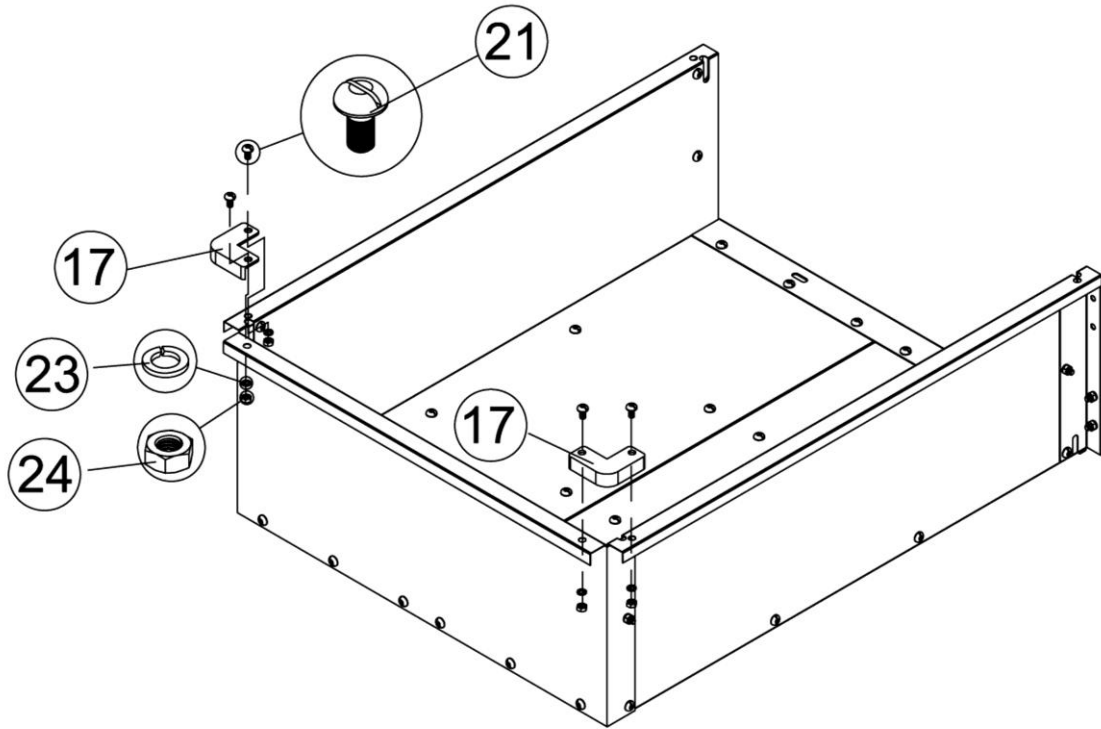
STEP 9: ASSEMBLY REAR CORNER BRACE



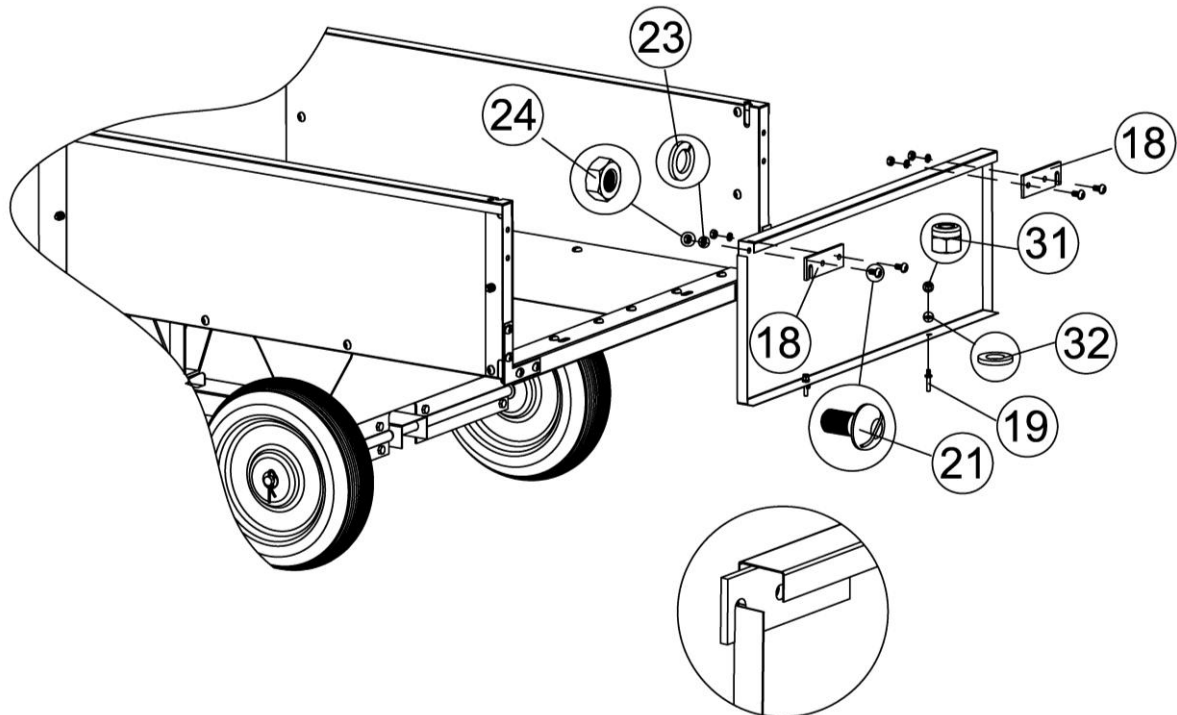
STEP 10: ASSEMBLY FRONT PANEL



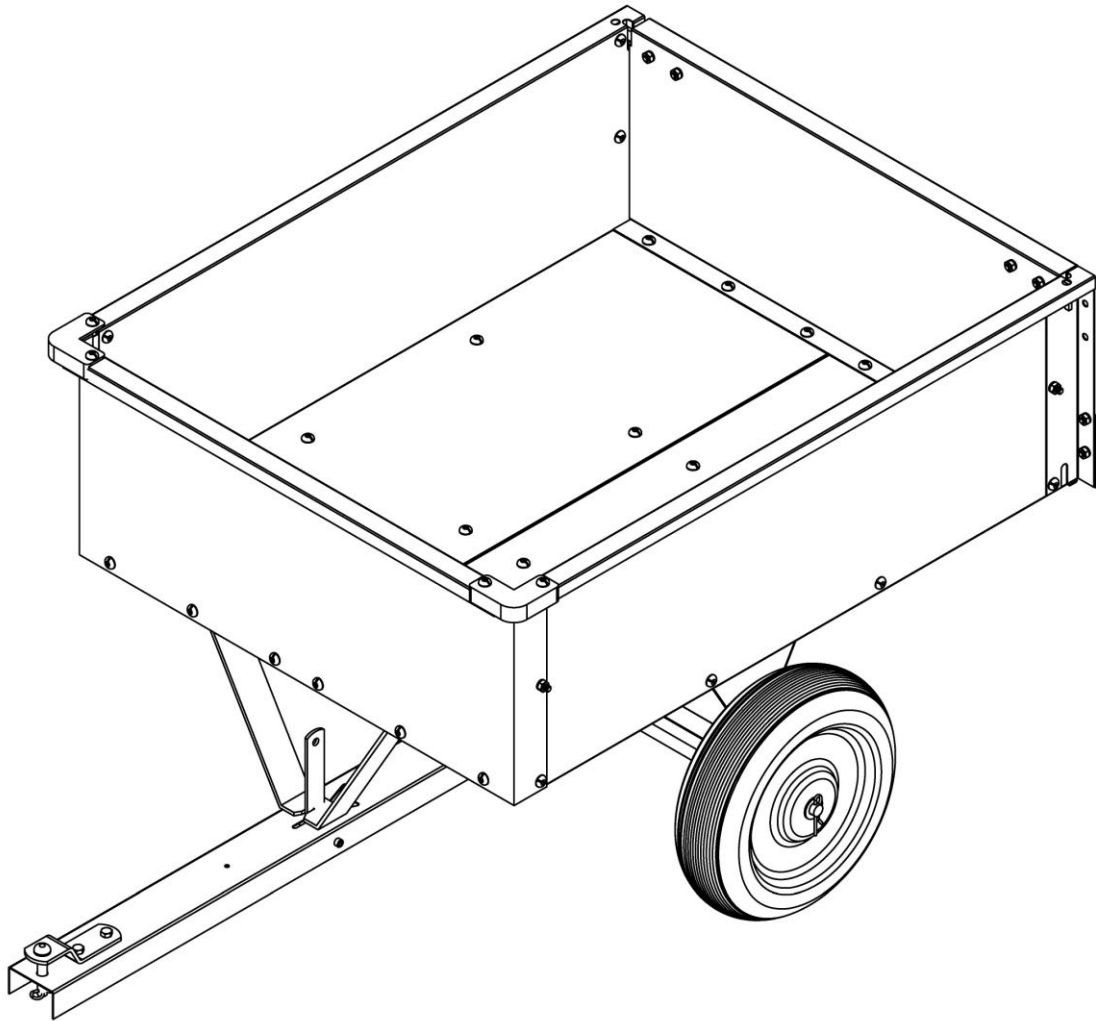
STEP 11: ASSEMBLY FRONT CORNER BRACE



STEP 12: ASSEMBLY TAILGATE AND TAILGATE PIN



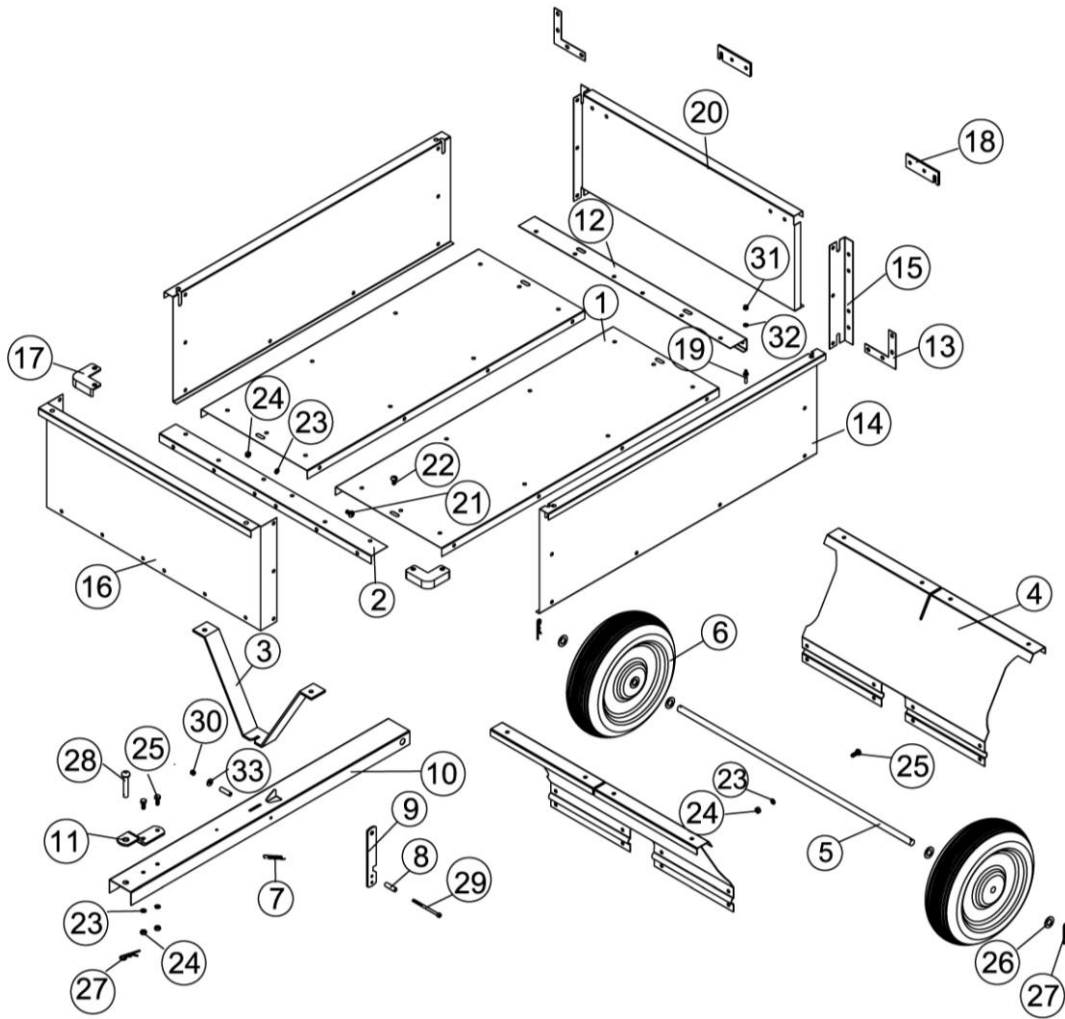
Your Dump Cart is now fully assembled and ready for use.



**RECOMMENDED TIRE PRESSURE 20-25PSI.**

**MAXIMUM TIRE PRESSURE 25PSI.**

# DRAWING



Ref#	Description	Qty	Ref#	Description	Qty
1	Bottom Panel	2	18	Tailgate Latch	2
2	Front Cross Brace	1	19	Tailgate Pin	2
3	Tongue Support	1	20	Tailgate	1
4	Wheel Axle Support	2	21	Screw M8x16	60
5	Wheel Axle	1	22	Screw M8x20	2
6	Wheel	2	23	Lock Washer Ø8	72
7	Latch Spring	1	24	Hex Nut M8	72
8	Spacer	2	25	Hex Bolt M8x20	10
9	Tongue Latch	1	26	Flat Washer Ø16	4
10	Hitch Tongue	1	27	R Pin	3
11	Hitch Pin Bracket	1	28	Hitch Pin	1
12	Rear Cross Brace	1	29	Hex Bolt M6x90	1
13	Rear Corner Bracket	2	30	Nylon Lock Nut M6	1
14	Side Panel	2	31	Hex Nut M6	2
15	Rear Corner Brace	2	32	Flat Washer Ø6	2
16	Front Panel	1	33	Big Washer Ø6	1
17	Front Corner Brace	2			

