

ATV SPREADER

Owners Manual and Operating Instructions



SAFETY WARNINGS AND PRECAUTIONS

⚠ Warning: When using tool, basic safety precautions should always be followed to reduce the risk of personal injury and damage to equipment. **Read all instructions before using this tool!**

- 1. Keep work area conditions.** Cluttered areas invite injuries.
- 2. Additional work area conditions.** Do not use machines or power tools in damp or wet locations. Do not expose to rain. Keep work area well lighted.
- 3. Keep children away.** Children must never be allowed in the work area. Do not let them handle machines, tools or extension cords.
- 4. Store idle equipment.** When not in use, tools must be stored in a dry location to inhibit rust. Always lock up tools and keep out of reach of children.
- 5. Use the right tool for the job.** Do not attempt to force a small tool or attachment to do the work of a larger industrial tool. There are certain applications for which this tool was designed. It will do the job better and more safely at the rate for which it was intended. Do not modify this tool and do not use this tool for a purpose for which it was not intended.
- 6. Dress properly.** Do not wear loose clothing or jewelry as they can be caught in moving parts. Protective, electrically non-conductive clothes and non-skid footwear are recommended when working. Wear restrictive hair covering to contain long hair.
- 7. Use eye protection.** Always wear ANSI approved impact safety glasses underneath a full face shield during use. Also, wear heavy duty work gloves.
- 8. Do not overreach.** Keep proper footing and balance at all times. Do not reach over or across running machines.
- 9. Maintain tools with care.** Keep tools sharp and clean for better and safer performance. Follow instructions for lubricating and changing accessories. The handles must be kept clean, dry and free from oil and grease at all times.
- 10. Remove adjusting keys and wrenches.** Check that keys and adjusting wrenches are removed from the tool or machine work surface before starting work.
- 11. Stay alert.** Watch what you are doing, use common sense. Do not operate any tool when you are tired.
- 12. Check for damaged parts.** Before using any tool, any part that appears damaged should be carefully checked to determine that it will operate properly and perform its intended function. Any part that is damaged should be replaced.
- 13. Replacement parts and accessories.** When servicing, use only identical replacement parts. Use of any other parts will void the warranty. Only use accessories intended for use with this tool.
- 14. Do not operate tools if under the influence of alcohol or drugs.** Read warning label on prescriptions to determine if your judgment or reflexes are impaired while taking drugs. If there is any doubt, do not operate the tool.

⚠ WARNING: The warnings, cautions and instructions discussed in this instruction manual can not cover all possible conditions and situations that may occur. It must be understood by the operator that common sense and caution are factors which can not be built into this product, but must be supplied by the operator.

SPECIFIC SAFETY RULES

- 1- Always wear protective clothing, eyewear, and dust mask to prevent contact with chemical and other materials being applied with this machine.
- 2- Remove any material in hopper before lifting or detaching this machine from the vehicle.
- 3- Care must be taken when lifting this machine so as not to cause personal injury or equipment damage. Never attempt to install this machine to the vehicle alone. Recruit the help of someone to assist when attaching and detaching this machine from the vehicle.
- 4- Refer to the material packaging or the Material Safety Data Sheet for precautionary measures required when handling materials to be applied.
- 5- Before attaching this machine, consideration must be given to the load capacity of the vehicle. Refer to the owner's manual of the vehicle for rated load capacity. Be sure to take into account the weight of this machine 20lbs and the weight of the material to be placed in the hopper when calculating the total load.
- 6- Keep hands away from any spinning object.

HOW TO OPERATE SAFETY

- 1- Read, understand, and follow all product label information provided on the material being applied.
- 2- An adjustable solid stop is provided that allows the operator to adjust to the desired opening position on the rate setting control prior to operation of the vehicle. This allows repeatability to the stop without the need to look at the control while operation the vehicle.
- 3- Establish the correct rate and then lock the stop in that position using the thumb wing nut on the setting control.

PRODUCT SPECIFICATIONS

- 1- 12 Volt motor with vinyl coating mounts to front or rear luggage rack, lever and gauge mounts to either side.
- 2- Fits most brands of ATVs and comes with wiring harness for easy installation.
- 3- Heavy 80-Lb load bearing capacity.
- 4- Capacity:1900 cu.in.

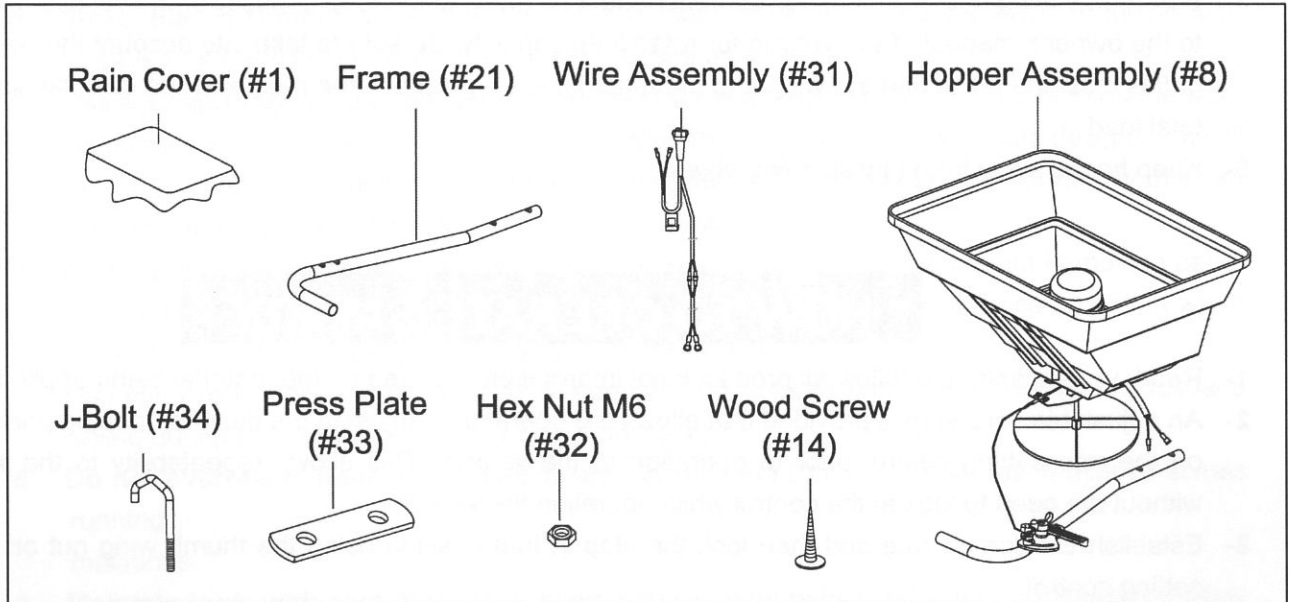
UNPACKING

INSTRUCTIONS

When unpacking the tools:

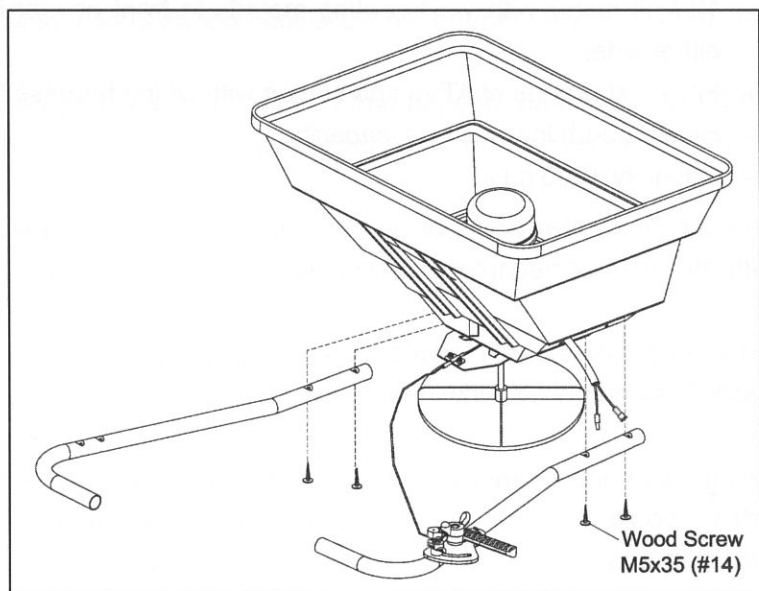
- 1- Carefully remove the tool and accessories from the box.
- 2- Make sure that all items listed in the packing list are included.
- 3- Inspect the tool carefully to make sure no breakage or damage occurred during shipping.
- 4- Do not discard the packing material until you have carefully inspected and satisfactorily operated the tool.

⚠ WARNING: If any parts are missing do not operate the tool until the missing parts are replaced. Failure to do so could result in possible serious personal injury.



ASSEMBLY

- 1- Attach frames to hopper as shown using M5x35 Wood Screws (#14).
- 2- Position the rate control assembly to either frame rail based on if the spreader is mounted to the front or the rear rack. If mounted on front rack the control should be positioned to the left rail, if mounted on the rear rack the control should be positioned on the right rail.



ASSEMBLY

How to attach to your ATV

- Position the assembled spreader centered on either the front or rear luggage rack on your ATV. Next using the included “J-Bolts”, connect the rear cross bars to the luggage rack cross bar closet to the seat or handlebars. Using the 2 included “Double J-Bolts”, attach the spreader to the luggage rack securing it to the outer most rail on the luggage rack. Tighten all fasteners and cut any excessive bolt lengths that extend beyond the nuts on the “U & J-Bolts” and smooth if necessary.

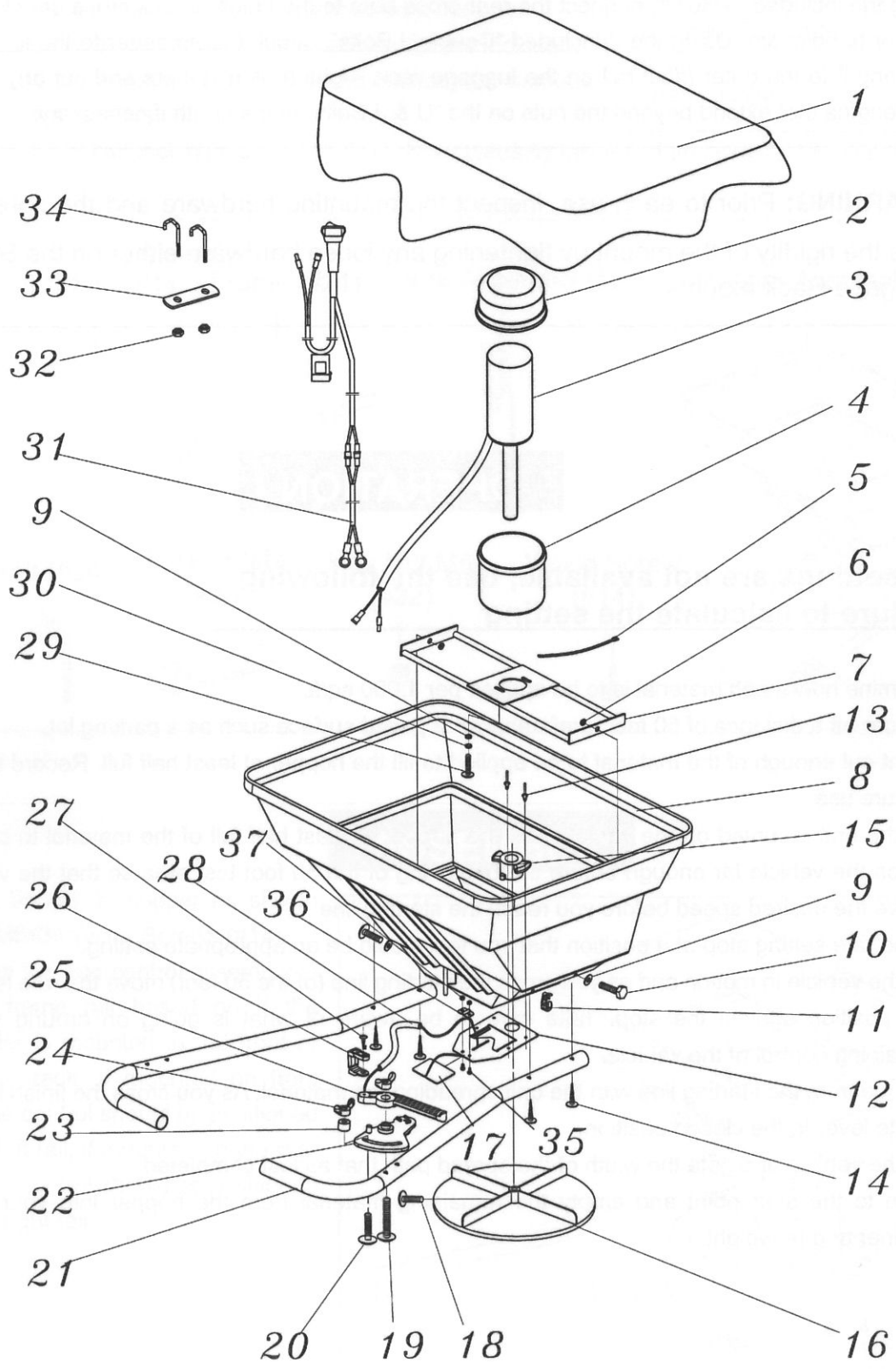
! WARNING: Prior to each use, inspect the mounting hardware and the spreader to ensure the rigidity of the mount by tightening any loose hardware either on the Spreader or Luggage Rack mounts.

OPERATION

If rate settings are not available, use the following procedure to calculate the setting

- 1- Determine how much material is to be applied per 1,000 sq/ft.
- 2- Measure off a distance of 50 feet, preferably on a paved surface such as a parking lot.
- 3- Weight out enough of the material to be applied to fill the hopper at least half full. Record the weight for future use.
- 4- With the unit mounted on the vehicle and the hopper at least half full of the material to be spread, position the vehicle far enough before the beginning of the 50 foot test area so that the vehicle will achieve the desired speed before you reach the starting line.
- 5- Set the rate setting stop at a position that you feel would be an appropriate setting.
- 6- Start the vehicle in motion and as you cross the starting line (of the 50 feet) move the rate lever to the open position against the stop. Take care to be aware of what is going on around you when maintaining control of the vehicle.
- 7- Continue from the starting line with the unit spreading the material. As you cross the finish line, move the rate lever to the closed position.
- 8- Stop the vehicle and note the width of the spread path that as just completed.
- 9- Return to the start point and empty the remaining material from the hopper into your weighing container and re-weight.

EXPLODED DIAGRAM



PARTS LIST

REF#	DESCRIPTION	QTY
1	Rain Cover	1
2	Electric Motor Lid	1
3	Electric Motor	1
4	Electric Motor Cover	1
5	Tie	1
6	lock Nut M6	2
7	Motor Support	1
8	Hopper Assembly	1
9	Flat Washer Ø6	4
10	Hex Bolt M6x16	2
11	Wire Clamp	1
12	Adjustment Plate A	1
13	Rivet Ø5x12	4
14	Wood Screw M5x35	4
15	Center Spacer	1
16	Turning Plate	1
17	Adjustment Plate B	1
18	Round Head Screw M4x20	1
19	Round Head Screw M6x45	1
20	Carriage Bolt M6x25	1
21	Frame	2
22	Gauge Assembly	1
23	Spacer	1
24	Wing Nut M6	2
25	Handle	1
26	Wire Adjustment Clip	1
27	Wood Screw M4x18	1
28	Adjustment Wire	1
29	Round Head Screw M6x16	2
30	Lock Washer Ø6	2
31	Wire Assembly	1
32	Hex Nut M6	8
33	Press Plate	4
34	J-Bolt	8
35	Round Head Screw M5x12	2
36	Wire Clamp Press Plate	1
37	Lock Nut M5	2