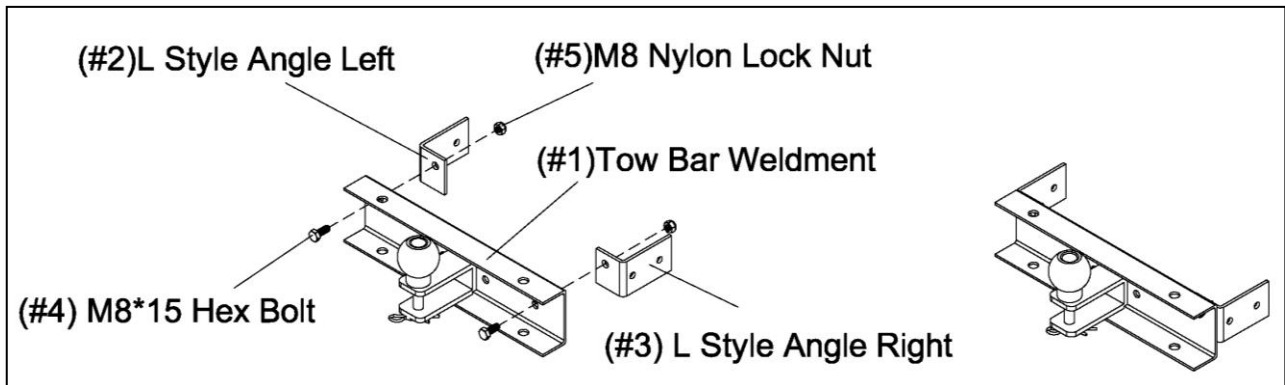


## DRAWING AND PARTS LIST



Part #	Description	Qty
1	Tow Bar Weldment	1
2	L Style Angle Left	1
3	L Style Angle Right	1
4	Hex Bolt M8x15	2
5	Nylon Lock Nut M8	2