



# 113KG TOW BEHIND SPREADER



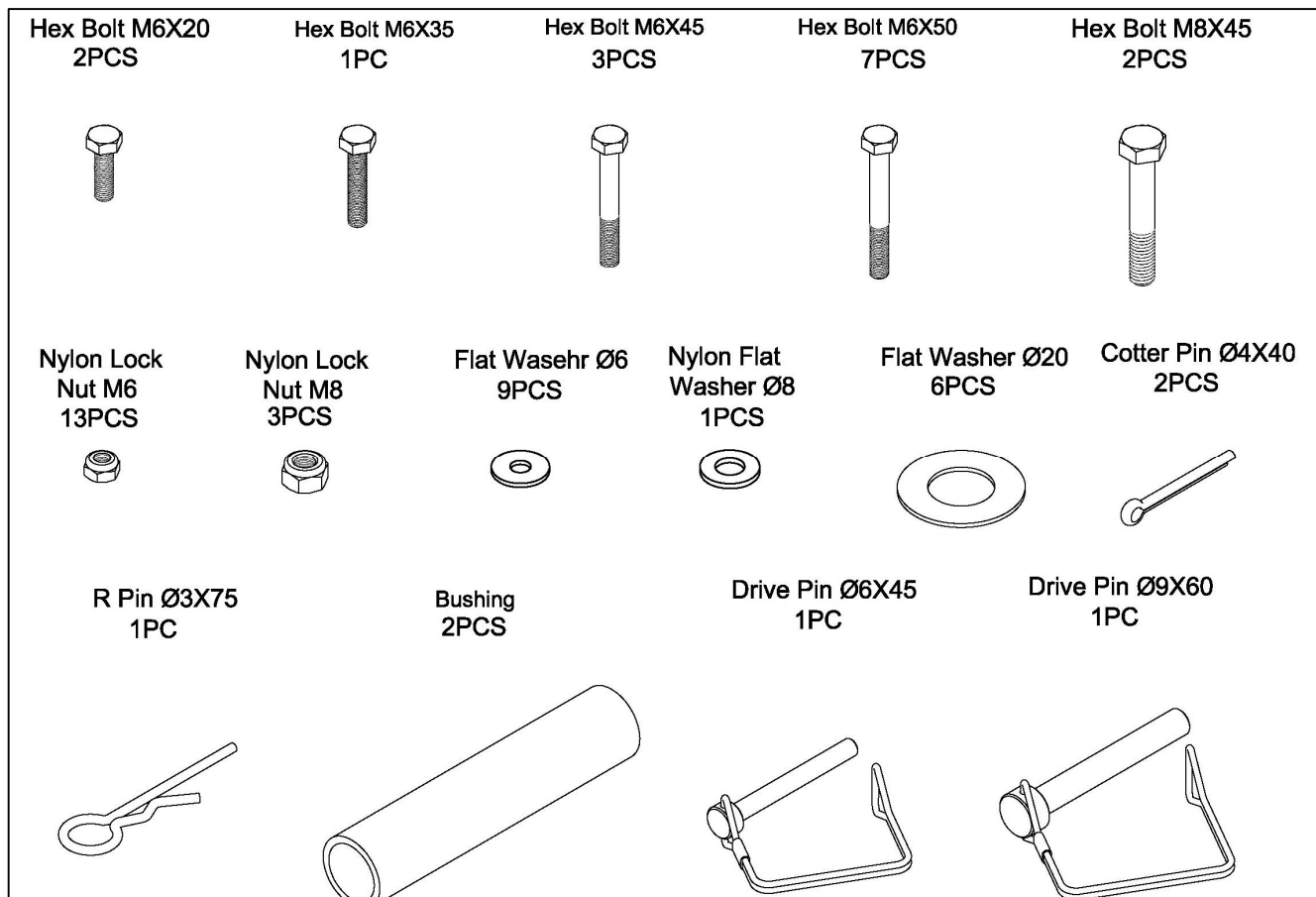
**ASSEMBLY AND OPERATING INSTRUCTION**

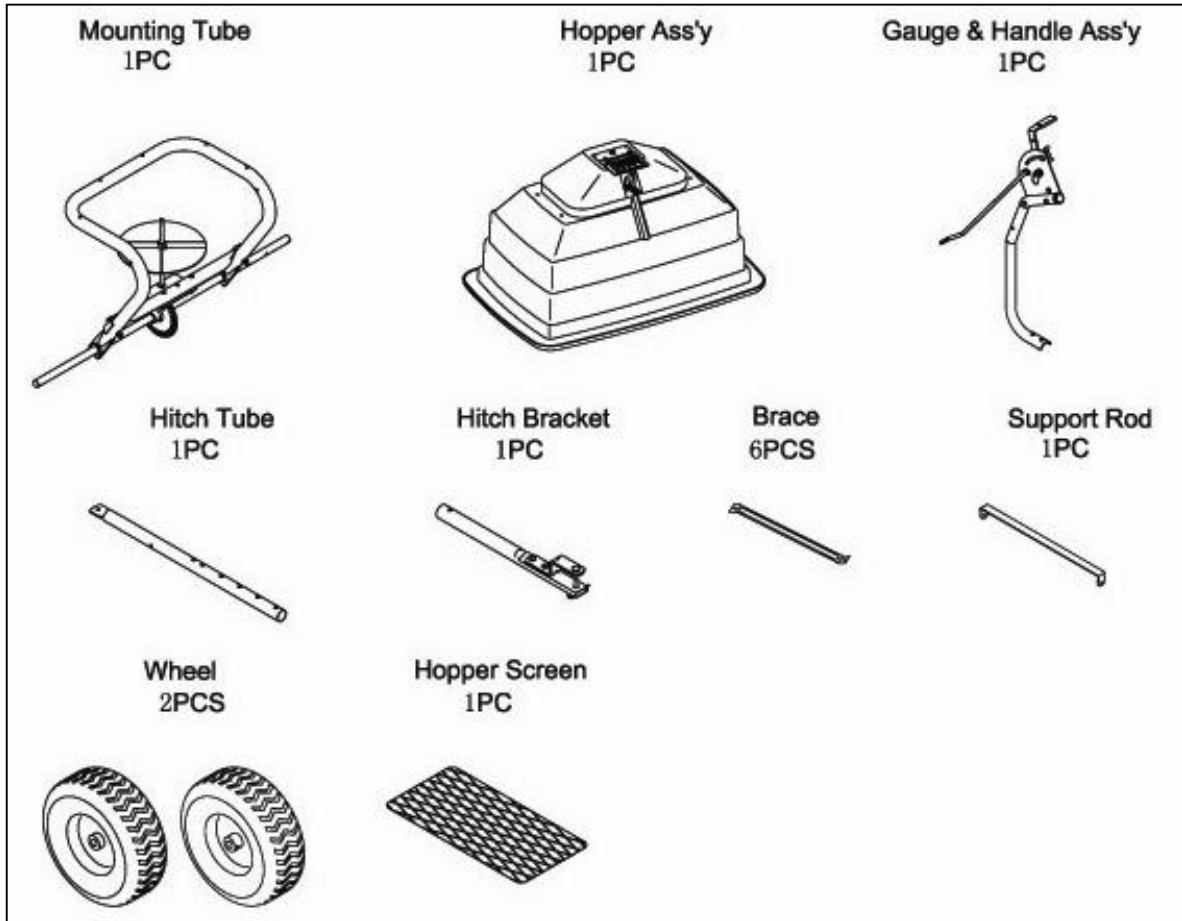
## 1. SAFETY RULES

### READ THE DIRECTIONS BEFORE ASSEMBLY

- Read the towing vehicle owners manual and towing vehicle safety rules. Know how to operate your tractor before using the tow-behind spreader.
- Read the chemical label instructions and cautions for handling and applying the chemicals purchased for spreading.
- Wear eye and hand protection when handling and when applying lawn or garden chemicals.
- Never operate tractor and spreader attachment without wearing substantial footwear, and do not allow anyone to ride or sit on spreader attachment frame.
- Never allow children to operate the tractor or spreader attachment, and do not allow adults to operate without proper instructions.
- Always begin with the transmission in first (low) gear and with the engine at low speed, and gradually increase speed as conditions permit.
- When towing spreader do not drive too close to a creek or ditch and be alert for holes and other hazards which could cause you to loose control of the spreader and tractor.
- Before operating vehicle on any grade (hill) refer to the safety rules in the vehicle owner's manual concerning safe operation on slopes. **Stay off steep slopes!**

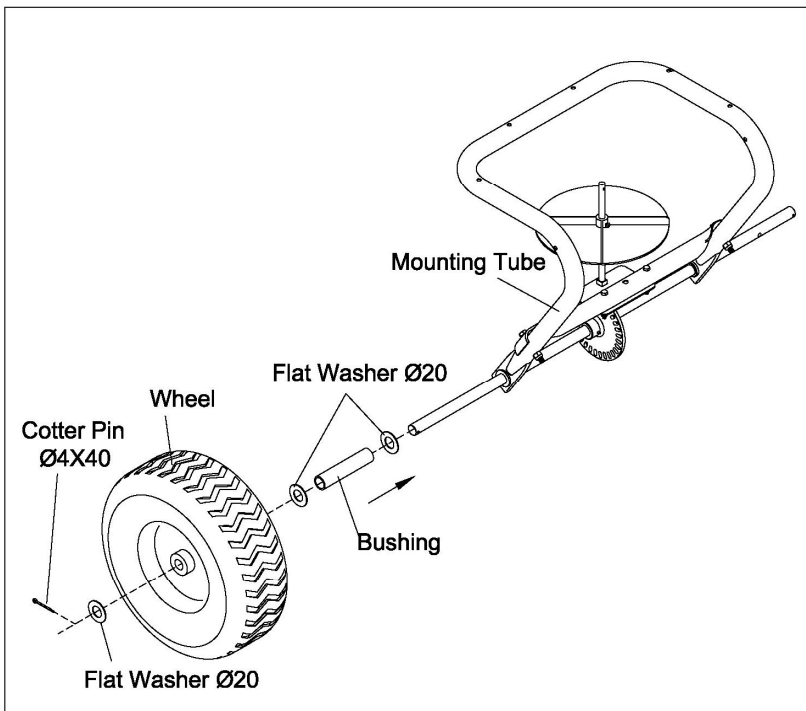
## 2. Remove and identify loose parts from carton and bag.



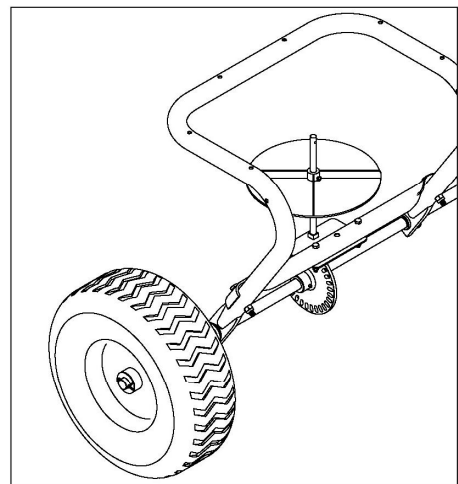


## ASSEMBLY INSTRUCTION

**STEP 1:** Attach the first Flat Washer Ø20, Wheel Spacer, the second Flat Washer Ø20, the third Flat Washer Ø20 onto the end of wheel axle of Mounting Tube in turn. Then insert the Cotter Pin Ø4x40 into the small hole on the wheel axle and bend to fix it.

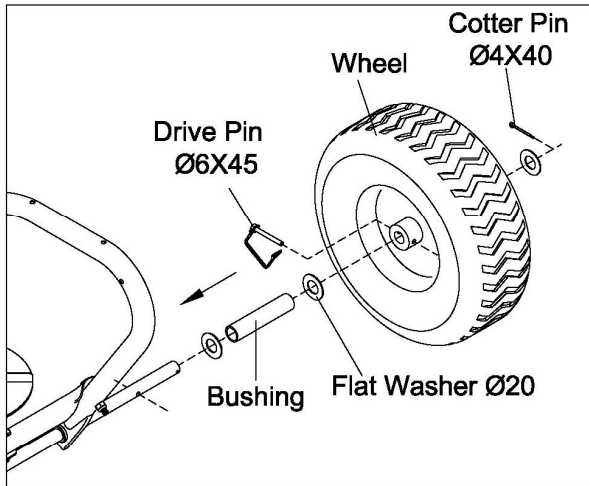


Picture 1

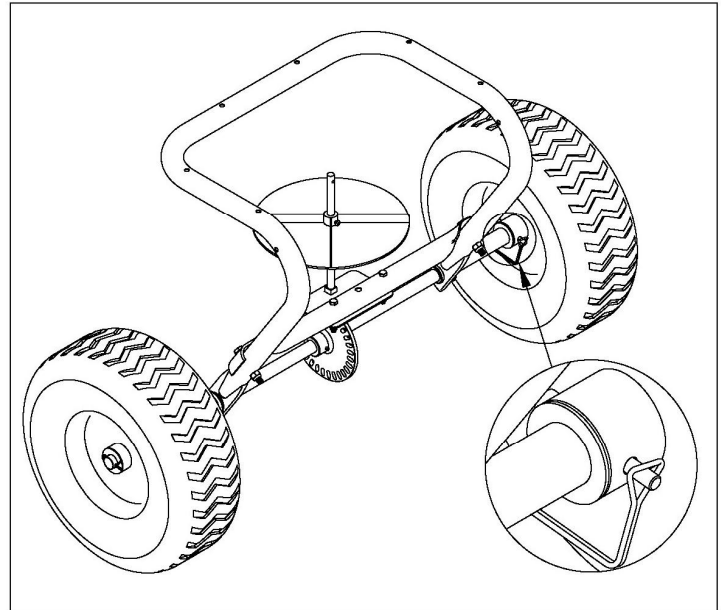


Picture 2

**STEP 2:** Assembly the another wheel to the other side of Wheel Axle, operation same as step 1. Rotating the wheel so that the hole on the inside of wheel align with the hole on the end of axle, then insert the Drive Pin  $\text{\O}6 \times 45$  and lock it.

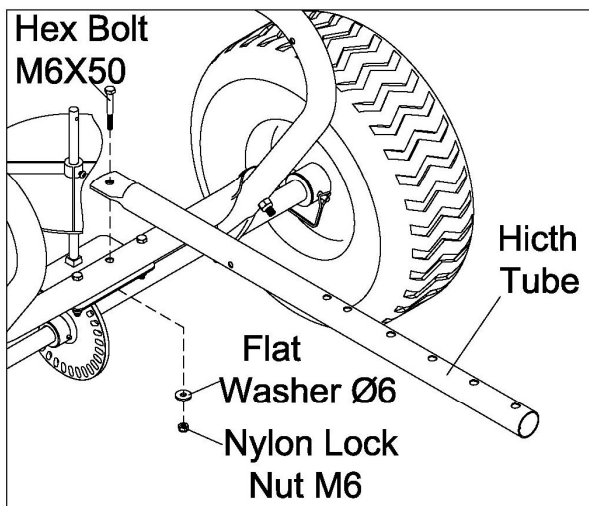


Picture 3

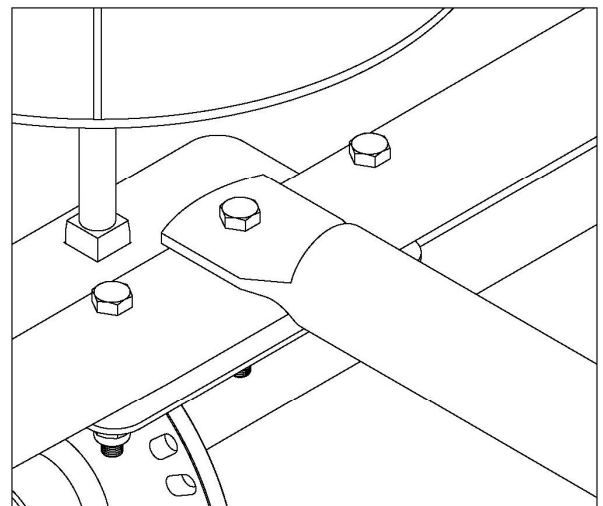


Picture 4

**STEP 3:** Insert Hex Bolt M6x50 after aligning the hole at the flat end of Hitch Tongue (stay on top) with the one at the middle of crossover tube. Connect it by using Big Flat Washer  $\text{\O}6$  and Nylon Lock Nut M6 and don't screw it up moderately.

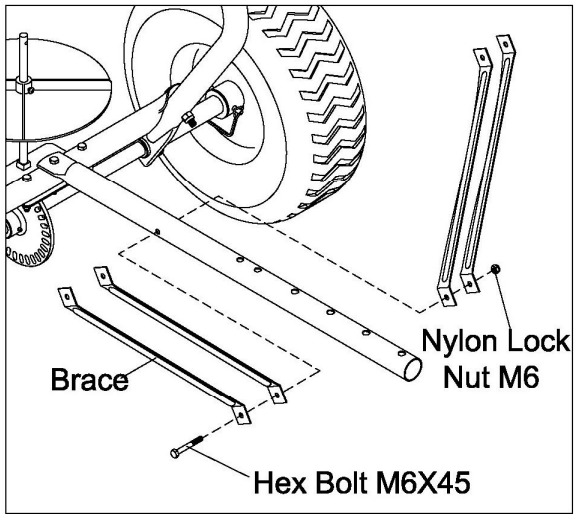


Picture 5

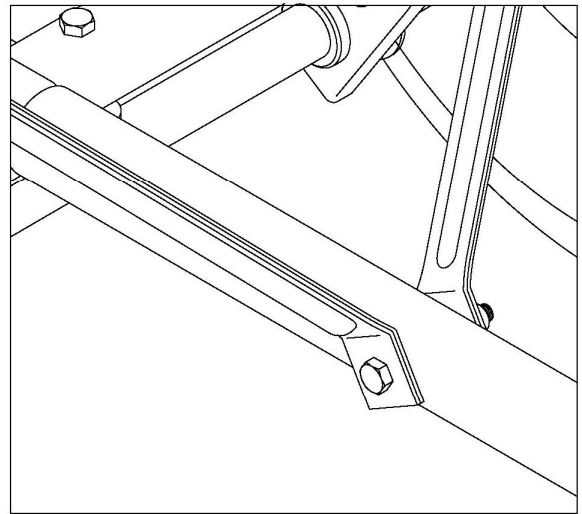


Picture 6

**STEP 4:** Attach two Braces (each at one side) to the middle of Hitch Tongue by using Bolt M6x45 and Nylon Lock Nut M6, don't screw them up temporarily.

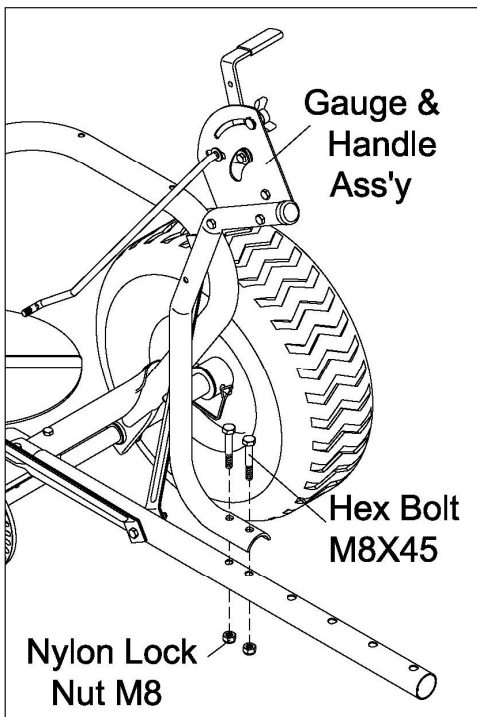


Picture 7

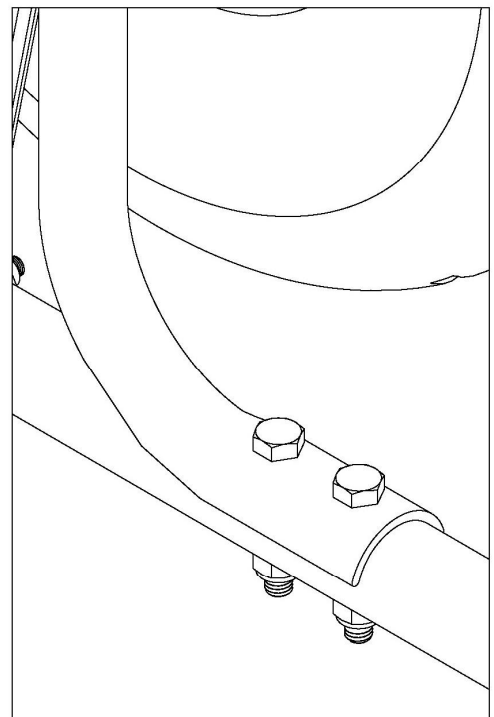


Picture 8

**STEP 5:** Attach the Gauge & Lever Ass'y to the middle of Hitch Tongue using 2pcs Hex Bolts M8x45 and Nylon Lock Nuts M8.

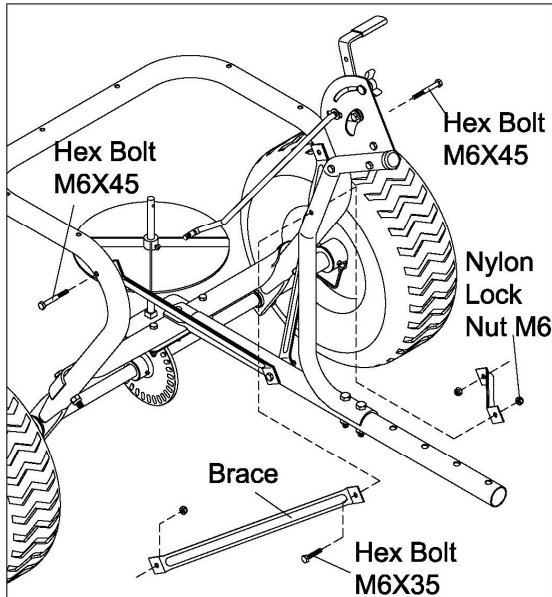


Picture 9

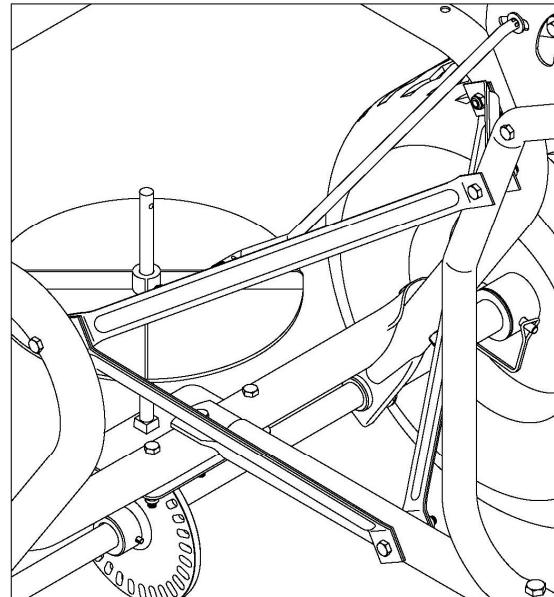


Picture 10

- STEP 6:**
1. Attach two Braces (each at one side) to the middle of Support Rod by using Hex Bolt M6x45 and Nylon Lock Nut M6, don't screw them up temporarily.
  2. Connect another end of two Braces at each side of Hitch Tongue with the hole in horizontal direction at the round part of Mounting Tube by using Bolt M6x45 and Nylon Lock Nut M6.
  3. Now tighten all bolts and nuts.

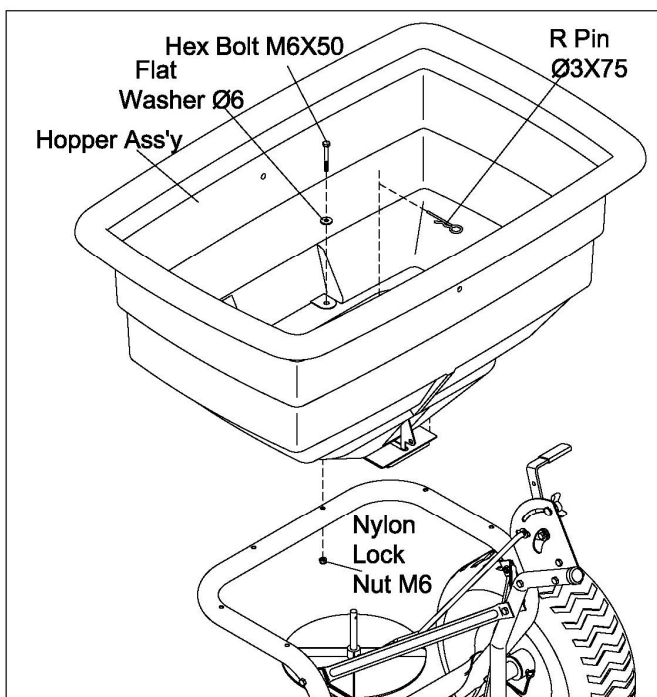


Picture 11

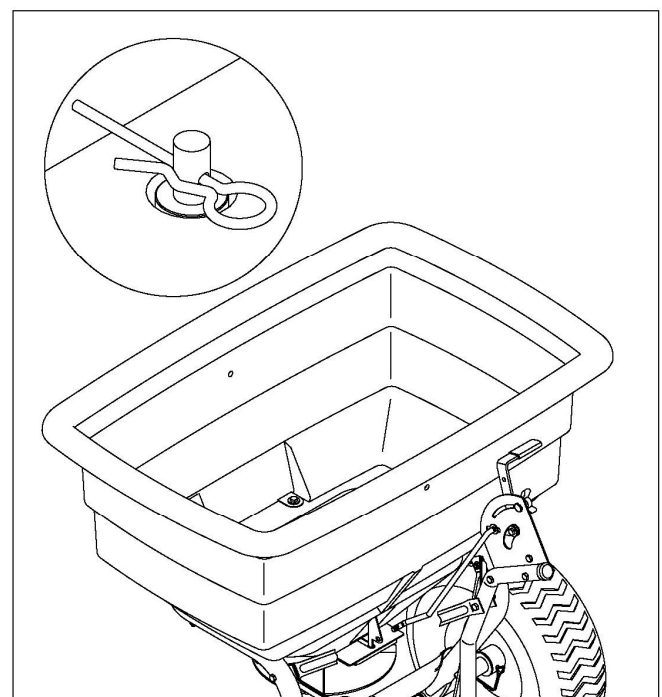


Picture 12

- STEP 7:**
1. Insert the head of Axle on Frame Tube Assembly into the Swivel Bushing at the bottom of Hopper Assembly.
  2. Aligning all the six holes around Hopper Assembly and the six holes on the Frame by using six Bolts M6x50, Big Flat Washer Ø 6 on the top and six Nylon Lock Nuts M6. Adjust parts of the Hoper Assembly to make the axle to be able to twirl freely and then screw all the Nylon Nut M6.
  3. Insert the R Pin Ø3x75 into the hole on top of Swivel Axle.



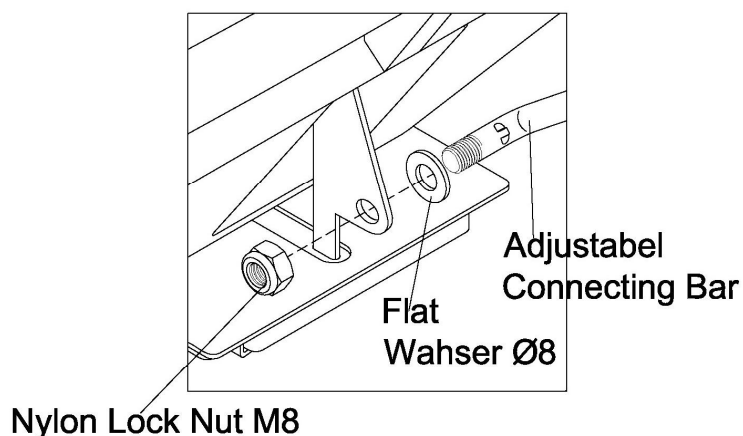
Picture 13



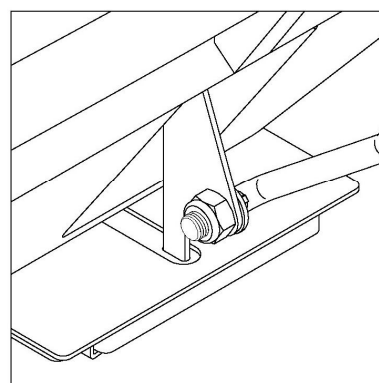
Picture 14



**STEP 8:** Install one Flat Washer Ø8 at one end of Adjust Connection Rod and then insert into the hole of Rod Base, connect them by using a Nylon Lock Nut M8.

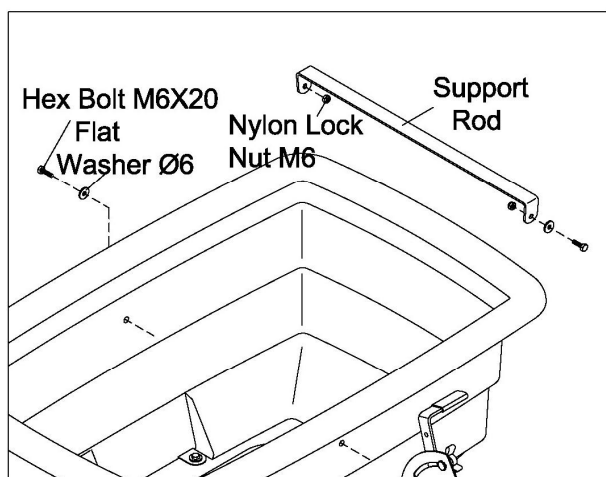


Picture 15

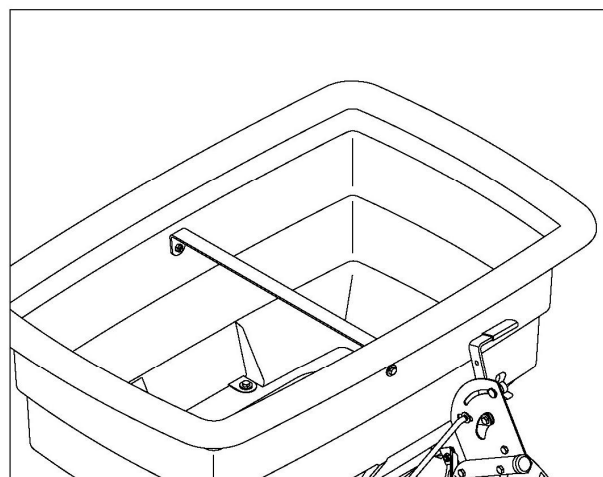


Picture 16

**STEP 9:** Attach the support rod into the hole on the Hopper by using Hex Bolts M6x20, Big Flat Washers Ø6 and Nylon Lock Nuts M6.

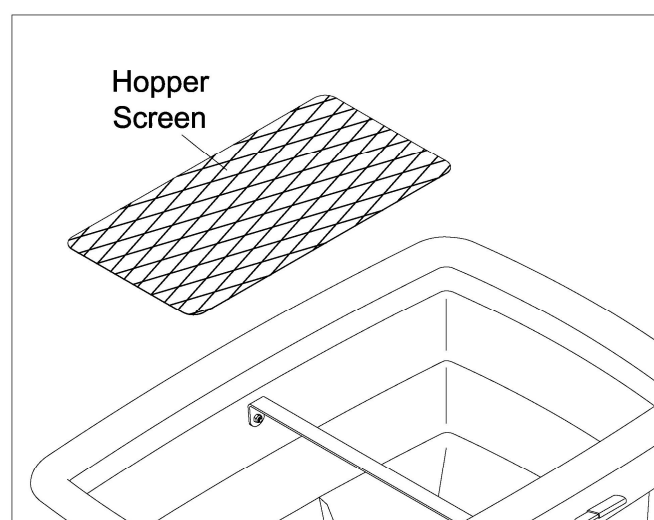


Picture 17



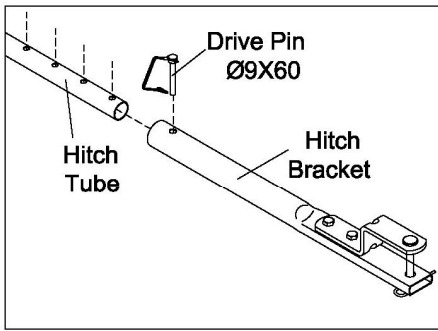
Picture 18

**STEP 10:** Attach the Hopper Screen to the bottom of Hopper.

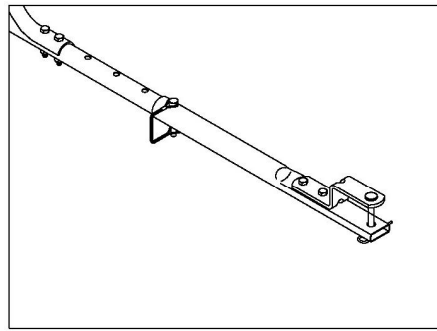


Picture 19

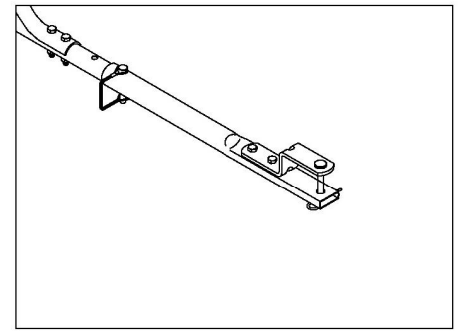
**STEP 11:** Connect Hitch Bracket to Hitch Tongue, the hole on the Hitch Bracket align at the hole on the Hitch Tongue, using the Drive Pin Ø9x60.(See Fig.11). The Length of Hitch Tongue can be adjustable.



Picture 20

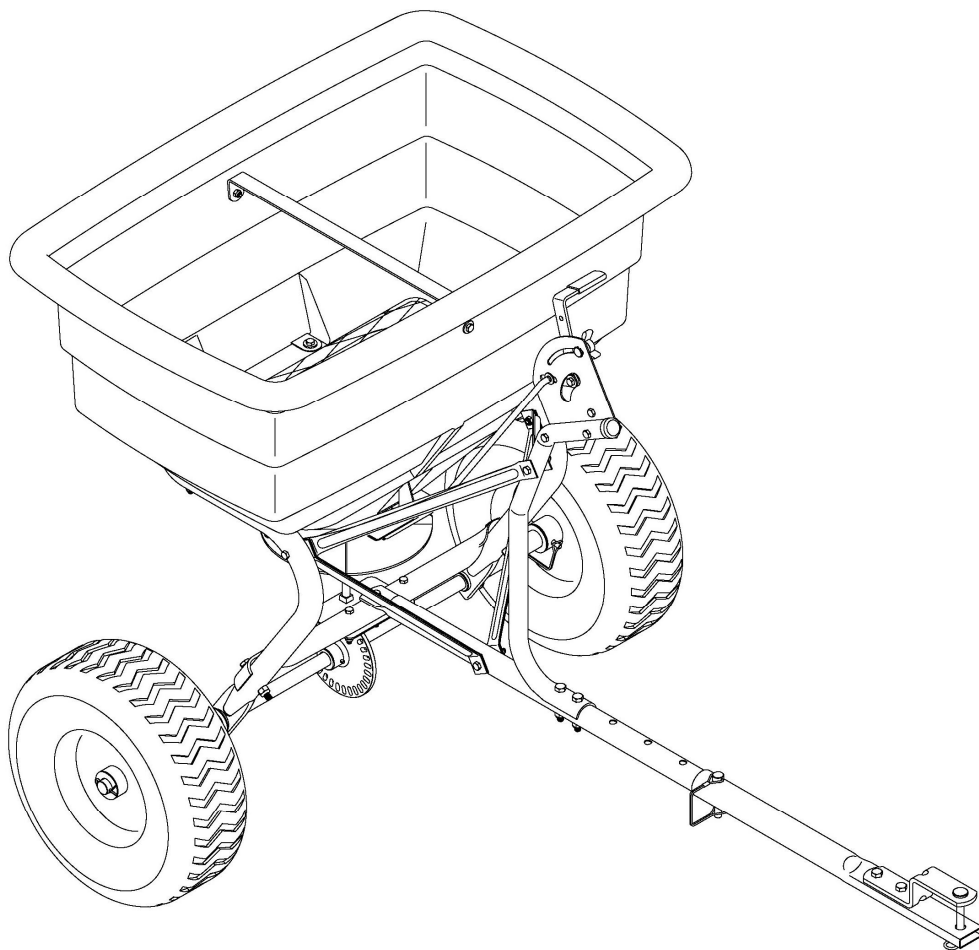


Picture 21



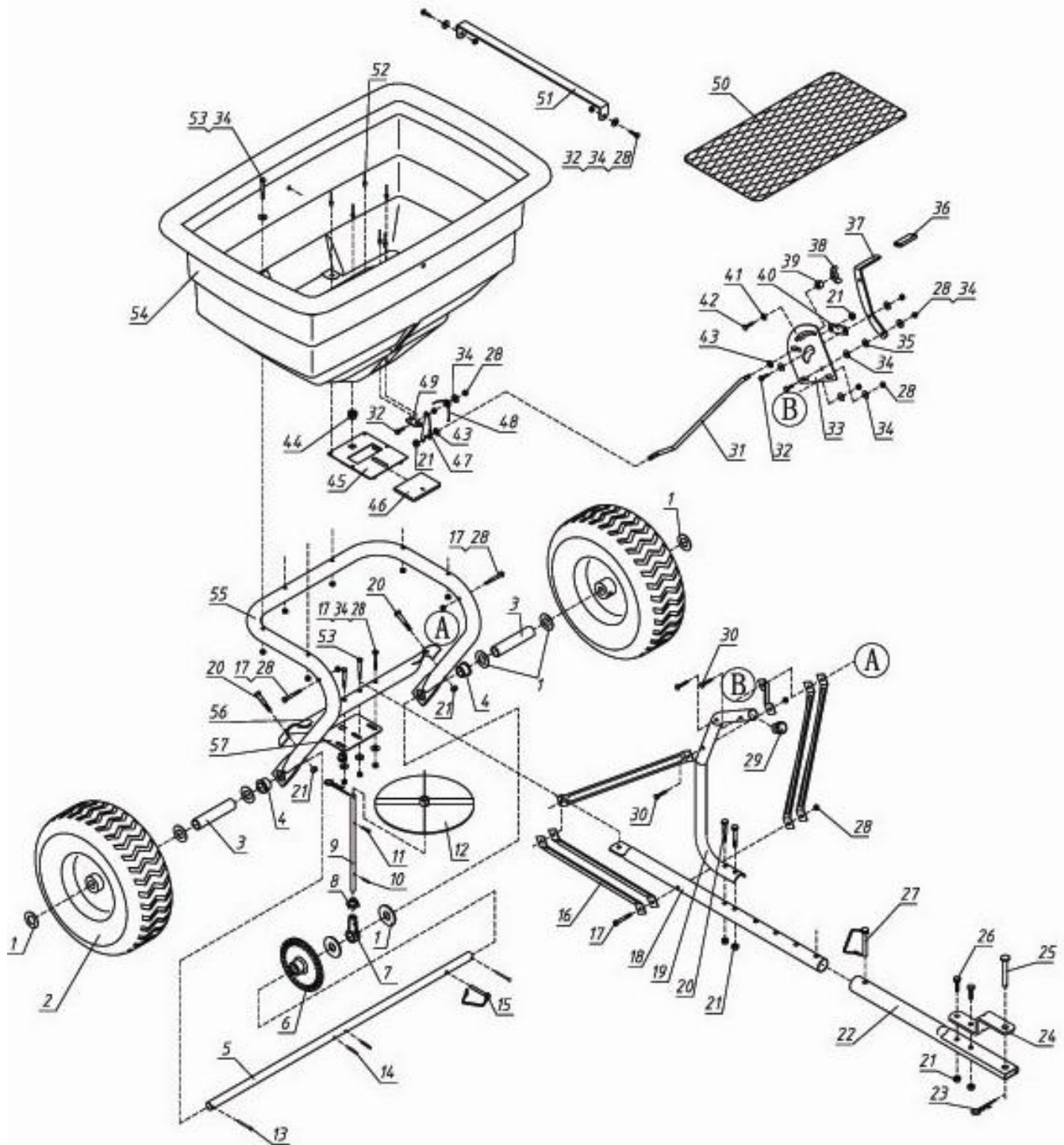
Picture 22

Your Spreader is now fully assembled and ready for use.





# PARTS DRAWING



# PARTS LIST

| Ref# | Description       | Qty | Ref# | Description                   | Qty |
|------|-------------------|-----|------|-------------------------------|-----|
| 1    | Flat Washer Ø20   | 8   | 30   | Hex Bolt M6x35                | 3   |
| 2    | Pneumatic Tire    | 2   | 31   | Adjustable Connection Rod     | 1   |
| 3    | Wheel Spacer      | 2   | 32   | Hex Bolt M6x20                | 5   |
| 4    | Bushing           | 2   | 33   | Gauge Plate                   | 1   |
| 5    | Wheel Axle        | 1   | 34   | Big Flat Washer Ø6            | 18  |
| 6    | Drive Gear        | 1   | 35   | Nylon Washer                  | 1   |
| 7    | Shaft Support Cap | 1   | 36   | Handle Grip                   | 1   |
| 8    | Small Gear        | 1   | 37   | Adjustable Handle             | 1   |
| 9    | Shaft             | 1   | 38   | Wing Nut M6                   | 1   |
| 10   | Spring Pin Ø3x16  | 1   | 39   | Spacer                        | 1   |
| 11   | Screw M4x20       | 1   | 40   | Linkage Rod Plate             | 1   |
| 12   | Impeller          | 1   | 41   | External Teeth Lock Washer Ø8 | 1   |
| 13   | Cotter Pin Ø4x40  | 2   | 42   | Step Bolt M6x25               | 1   |
| 14   | Spring Pin Ø4x35  | 2   | 43   | Flat Washer Ø8                | 2   |
| 15   | Drive Pin Ø6x45   | 1   | 44   | Shaft Bushing                 | 2   |
| 16   | Hitch Brace       | 6   | 45   | Fixing Adjustable Plate       | 1   |
| 17   | Hex Bolt M6x45    | 5   | 46   | Active Adjustable Plate       | 1   |
| 18   | Hitch Tongue      | 1   | 47   | Fixing Plate                  | 1   |
| 19   | Flow Control Rod  | 1   | 48   | Spring                        | 1   |
| 20   | Hex Bolt M8x45    | 4   | 49   | Spring Base                   | 1   |
| 21   | Nylon Lock Nut M8 | 8   | 50   | Hopper Screen                 | 1   |
| 22   | Hitch Extension   | 1   | 51   | Support Rod                   | 1   |
| 23   | R Pin Ø3x75       | 2   | 52   | Rivet Ø5x12                   | 6   |
| 24   | Connection Plate  | 1   | 53   | Hex Bolt M6x50                | 7   |
| 25   | Pin               | 1   | 54   | Hopper                        | 1   |
| 26   | Hex Bolt M8x30    | 2   | 55   | Mounting Tube                 | 1   |
| 27   | Drive Pin Ø9x60   | 1   | 56   | Across Tube                   | 1   |
| 28   | Nylon Lock Nut M6 | 21  | 57   | Shaft Support Plate           | 1   |
| 29   | Plastic Cap       | 1   | 58   | Rain Cover                    | 1   |