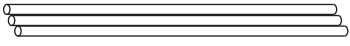


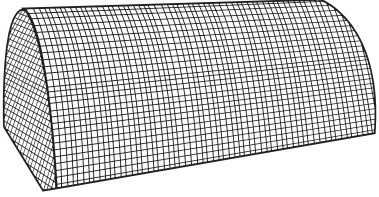

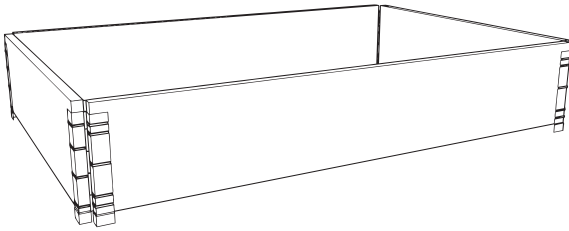


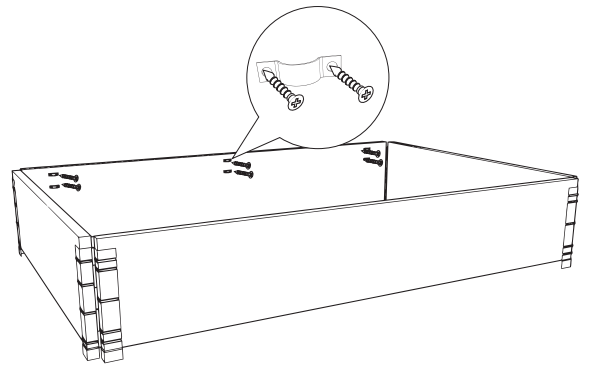
Checking List

NO.	Drawing	QTY	NO.	Drawing	QTY
①		9	④		6
②		12	⑤		1
③		24			

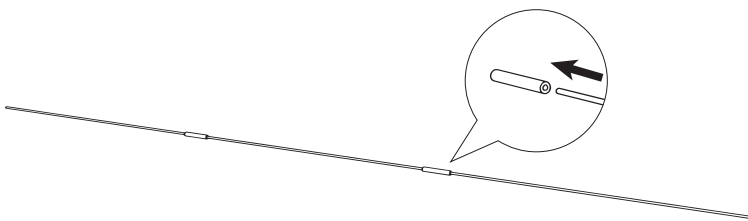
01.



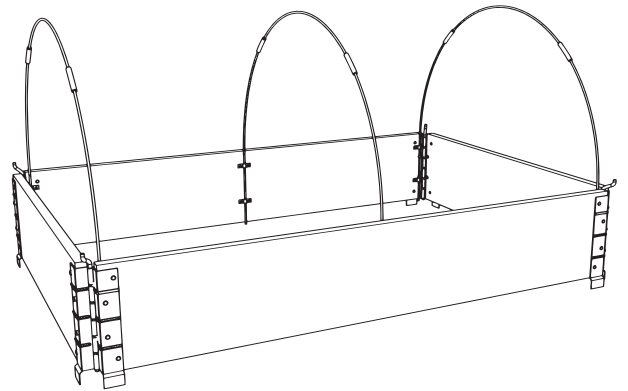
02.



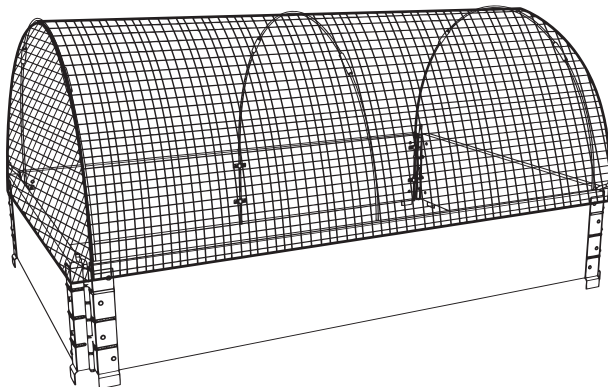
03.



04.



05.



Wear appropriate safety gloves when installing!